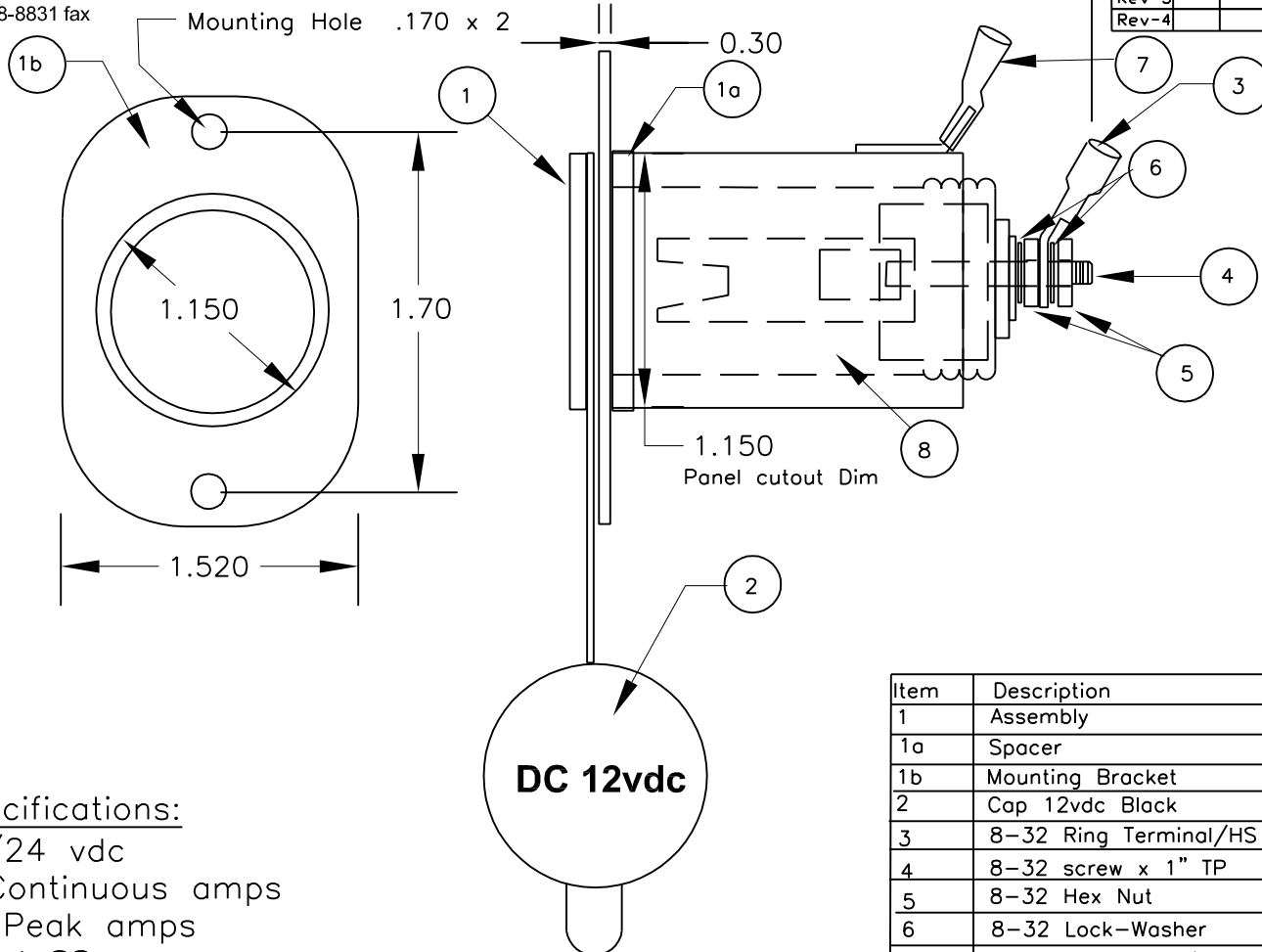


Lone Star Aviation, Inc.
 604 So. Wisteria Street
 Mansfield, Texas 76063
 682-518-8882
 682-518-8831 fax




REVISION BLOCK					
REV	ECO #	ZONE	DESCRIPTION OF CHANGE(S)	DATE	CHANGED/APPROVED
Rev-0			INITIAL RELEASE	11-20-05	JRM/RLS
Rev-1			Add dim, panel, 5 amps	2-14-09	JRM/RLS
Rev-2			Moved ring connector + Notes	8-4-09	LMD/JRM
Rev-3			Ceramic Spacer & Epoxy	8-12-09	LMD/JRM
Rev-4			Added Lot# and QC stamp	3-19-10	LMD/JRM

- Note 1: Ring Connector to be between nut, washer, nut.
- Note 2: Torque spec 5 to 6 inch/lbs
- Note 3: Ink Markings: Lot # and QC for placement see 8.
- Note 4: Use (15amp) circuit breaker to protect a/c circuit.
- Note 5: Power Adapter comes standard with 12V Cap (2). For 28V applications please specify on order to get a 28V marked cap.

Specifications:
 12/24 vdc
 8 Continuous amps
 10 Peak amps
 Metal SS
 Ceramic Core,(10)A
 Neg.Terminal w/ Heat Shrink
 A+ Terminal w/ Heat Shrink
 Rubber Cap (Black) 12 vdc Markings
 Panel Cut-out = 1.150 inch
 Mounting hardware = Screw PPH 8-32 x 1/2, or 5/8 x 2

Item	Description	Part Number	Qty
1	Assembly	LS01-26015	1
1a	Spacer	LS01-26015a	1
1b	Mounting Bracket	LS01-26015b	1
2	Cap 12vdc Black	LS01-19057 (12V)	1
3	8-32 Ring Terminal/HS	LS01-19055	1
4	8-32 screw x 1" TP	LS01-13009	1
5	8-32 Hex Nut	LS01-19005	2
6	8-32 Lock-Washer	LS01-19006	2
7	Spade Terminal w/ht Shk	LS01-19056	1
8	Power Adapter Label	LS01-22022	1

UNLESS NOTED OTHERWISE TOLERANCE BLOCK: DIMENSIONS ARE IN INCHES DECIMALS XX ±.030 XXX ±.015 XXXX ±.0005		ANGULAR ±1°		 LONE STAR AVIATION CORP. Mansfield, Texas	
DO NOT SCALE DRAWING		APPROVALS DATE			
MATERIAL N/A		DRAWN BY LMD 3-19-10		TITLE DC Power Adapter	
FINISH N/A		APPROVED BY JRM 3-19-10		SIZE B DRAWING NO. LS03-05025-NA REV-4	
		NEXT ASSY.		SCALE NONE SHEET 1 OF 1	

Dwg. No. LS03-05025-NA 1 of 1 Rev-4