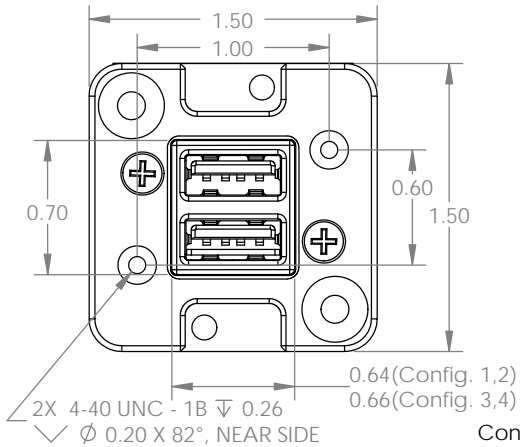


Configuration

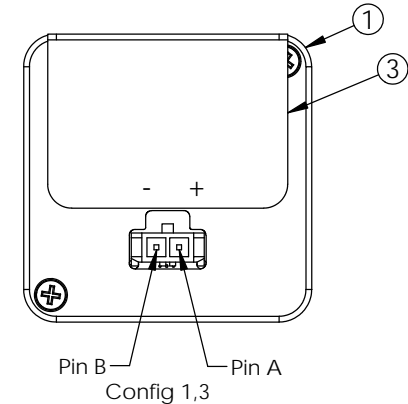
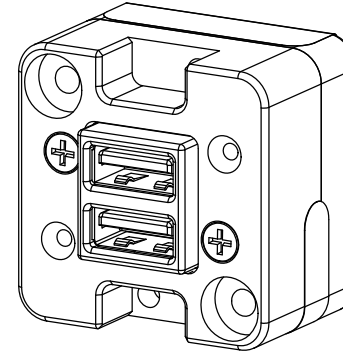
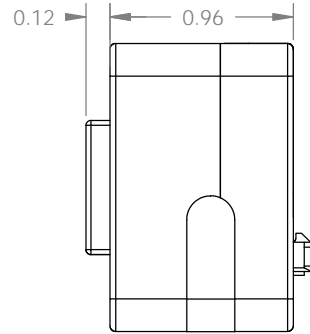
| Dash # | Assembly | Power Input | USB Connector |
|--------|-----------|-------------|---------------|
| -1 | 9017941-1 | Rear | Sealed |
| -2 | 9017941-2 | Bottom | Sealed |
| -3 | 9017941-3 | Rear | Lighted |
| -4 | 9017941-4 | Bottom | Lighted |

Revision

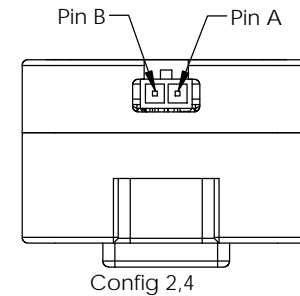
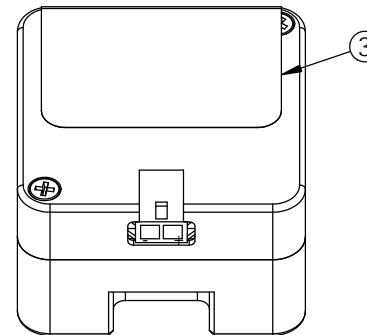
| ECO | Rev. | Description | Date | Approved |
|------|------|---|----------|----------|
| | | See obsolete drawing for revision history. | | |
| 6230 | F | Added Config. -5 Through -8, Changed Title (Was "Dual USB Charging Port") | 08/12/14 | TKV/WVC |
| 6290 | G | Added Connector Kit PN to Specifications | 11/14/14 | TKV/MKN |
| 6347 | H | Added "Modifications" to Specifications, Removed Configurations -5 Through -8 | 02/13/15 | TKV/BMC |
| 6737 | J | Updated specifications and title block. | 03/10/17 | VAA/IDD |



Config 1-4



Pin B Pin A
Config 1,3



Config 2,4

Specifications

| | |
|----------------------|---|
| Model Number | TA102 |
| Input | 10-32 VDC, 24 watts Max (1.7A @ 14VDC; 0.85A @ 28VDC) |
| Output | 5.0VDC ±0.25; 2.1 A per USB Port |
| Interface | USB Standard-A |
| Qualification | FAA TSO-C71 EASA ETSO-C71 RTCA DO-160G (See Installation Manual) USB Battery Charging BC 1.2 |
| Case | Anodized Aluminum, Blue (Black Case Front for Lighted Config., -3 and -4) |
| Mating Connector Kit | P/N 9017960 |
| Weight | 0.13 lbs |
| Installation Manual | P/N 9017942 |

| Connector Pinout | |
|------------------|-----------------|
| A | 10-32 VDC Input |
| B | Ground |

Note:
Mod 0: Initial Release
Mod 1: Increased PCB Thickness

UNLESS OTHERWISE SPECIFIED, ALL DIMENSIONS ARE IN INCHES.
TOLERANCE:
FRACTIONAL=±1/64
.XX=±0.015
.XXX=±0.005
.XXXX=±0.002
ANGULAR=±0.5°
WEIGHT N.T.E +5%
BREAK ALL SHARP EDGES
THREADS PER MIL-S-7742

DRAWN:
JDS
4/18/2013

APPROVED:
MKN
4/19/2013

This document discloses proprietary information of Mid-Continent Instrument Co., Inc. It may be reproduced or disclosed only with written permission of Mid-Continent Instrument Co. and is not to be used in any way detrimental to the interests of Mid-Continent Instrument Co., Inc.

TITLE:
USB Charging Port

SCALE: 1:1

| Item | Qty | Part Number | Description |
|------|-----|-------------|-----------------------------|
| 1 | 1 | See Config. | Assembly, USB Charging Port |
| 2 | 1 | 6018956-1 | Decal, Warranty TBP |
| 3 | 1 | 9017861-X | Nameplate |

TRUE BLUE POWER
A Division of Mid-Continent Instrument Co., Inc.

PART NUMBER:
6430102

DO NOT SCALE THIS DRAWING

SHEET: 1 of 1