

GROMSTRIP

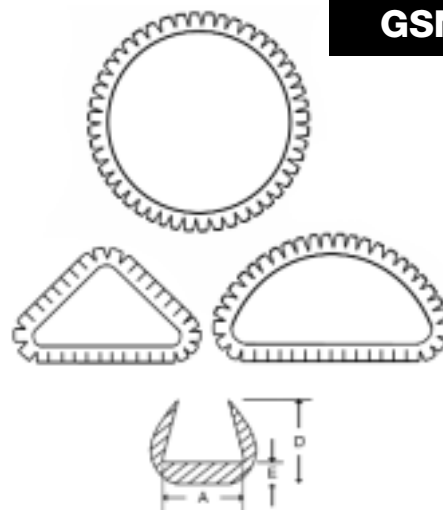
**GSP GSN
GSPC
GSNC**

Gromstrip is a continuous length of extruded U-channel for use as a protective covering on sharp edges. It can be cut to desired length and inserted into any hole, regardless of configuration. Gromstrip requires minimum space, grips surfaces snugly, and won't jar loose. Wherever wires pass through a metal piece, Gromstrip used on the sharp edges will protect against fraying and cut-through of the wires. Gromstrip is also available with continuous serrations for use in acute angles or other difficult applications. (On angles less than 90°, miter the two outside edges for a better fit.)

Polyethylene - used for general application.

Nylon - used where an abrasion-resistant material is desired; it has a higher operating temperature, and better dielectric constant than polyethylene.

Standard color for both Polyethylene and Nylon is natural.



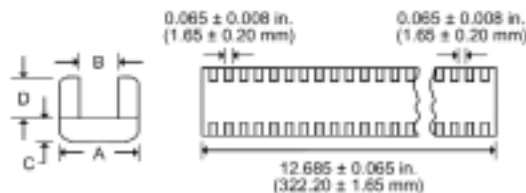
Polyethylene Catalog Number Size	Serrated Polyethylene Catalog Number Size	Dimensions*						Panel Thickness		Standard Package ft / pkg
		A		D		E		inches	mm	
		inches	mm	inches	mm	inches	mm			
GSP-1	GSPC-1	0.031	0.79	0.125	3.18	0.031	0.79	To 0.036	To 0.91	50, 100
GSP-2	GSPC-2	0.109	2.77	0.172	4.37	0.031	0.79	0.037-0.071	0.94-1.80	50, 100
GSP-3	GSPC-3	0.156	3.96	0.188	4.78	0.047	1.19	0.106-0.164	2.69-4.17	50, 100
GSP-4	GSPC-4	0.188	4.78	0.188	4.78	0.047	1.19	0.165-0.187	4.19-4.75	50, 100
GSP-5	GSPC-5	0.250	6.35	0.188	4.78	0.047	1.19	0.188-0.250	4.78-6.35	25, 100

Nylon Catalog Number Size	Serrated Nylon Catalog Number Size	Dimensions*						Panel Thickness		Standard Package ft / pkg
		A		D		E		inches	mm	
		inches	mm	inches	mm	inches	mm			
GSN-1	GSNC-1	0.031	0.79	0.125	3.18	0.031	0.79	To 0.036	To 0.91	50, 100
GSN-2	GSNC-2	0.109	2.77	0.172	4.37	0.109	2.77	0.037-0.071	0.94-1.80	50, 100
GSN-3	GSNC-3	0.156	3.96	0.188	4.78	0.156	3.96	0.106-0.164	2.69-4.17	50, 100
GSN-4	GSNC-4	0.188	4.78	0.188	4.78	0.188	4.78	0.165-0.187	4.19-4.75	50, 100
GSN-5	GSNC-5	0.250	6.35	0.188	4.78	0.250	6.35	0.188-0.250	4.78-6.35	25, 100

*Tolerance: 0.010 in. (0.25 mm)

MIL-SPEC 21266 GROMSTRIP

GSNCM



Nylon Catalog Number Size	Dimensions								Panel Thickness		Standard Package pcs / pkg
	A		B		C		D		inches	mm	
	inches	mm	inches	mm	inches	mm	inches	mm			
GSNCM-1	0.150	3.81	0.056	1.42	0.055	1.40	0.10	2.54	0.015-0.052	0.38-1.32	50, 100
GSNCM-2	0.175	4.45	0.090	2.29	0.055	1.40	0.10	2.54	0.052-0.085	1.32-2.16	50, 100
GSNCM-3	0.220	5.59	0.131	3.33	0.055	1.40	0.10	2.54	0.085-0.128	2.16-3.25	50, 100
GSNCM-4	0.325	8.26	0.195	4.95	0.070	1.78	0.16	4.06	0.128-0.192	3.25-4.88	50, 100
GSNCM-5	0.385	9.78	0.260	6.60	0.070	1.78	0.17	4.32	0.192-0.255	4.88-6.48	50, 100
GSNCM-6	0.445	11.30	0.320	8.13	0.075	1.91	0.18	4.57	0.255-0.318	6.48-8.08	50, 100