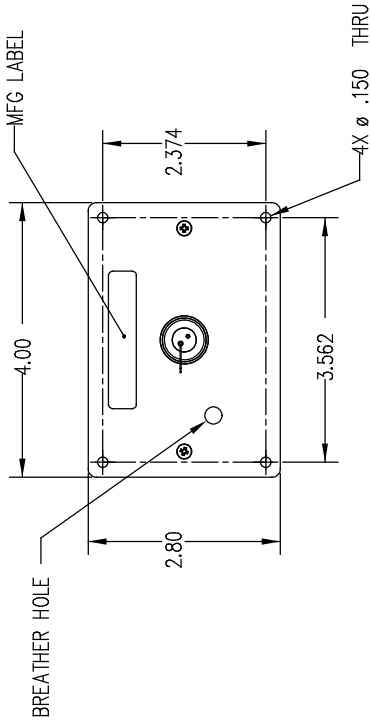
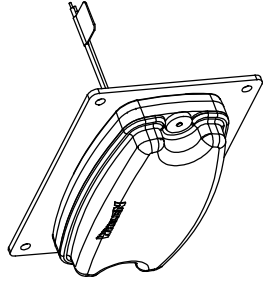


REV	ECN	DESCRIPTION
A	45519	CURRENT CHG FOR 28V



WIRING CHART	
MIL-22759/43, 20 AWG	
WHITE/RED	28/14 VDC
BLACK	GND

NOTES:

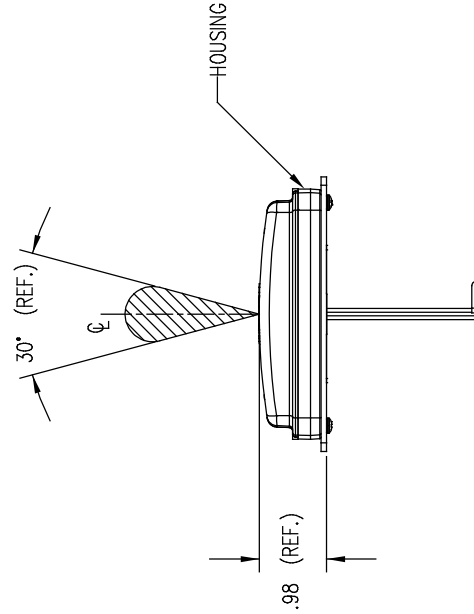
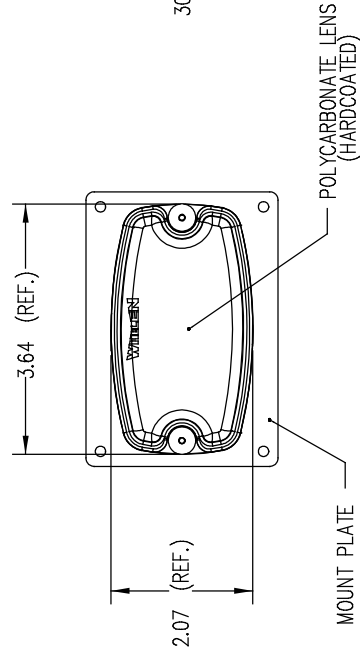
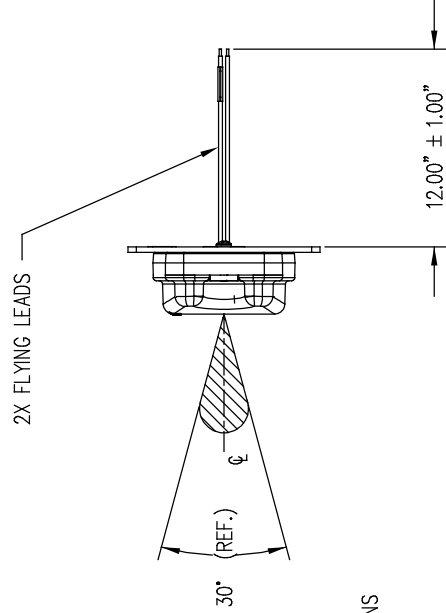
- SPECIFICATIONS (NOMINAL)
OPERATING VOLTAGE: 28/14 VDC
CURRENT: .43 A (28 V), 1.0 A (14 V)
WEIGHT: .28 LBS (REF.)

- MATERIAL:
HOUSING: DIE-CAST ALUMINUM ALLOY #413
MOUNT PLATE: ALUMINUM 6061-T6
LENS: CLEAR POLYCARBONATE

FINISH:
HOUSING: POWDERCOAT, BLACK
MOUNT PLATE: CLEAR IRIDITE, MIL-C-5541, CLASS 3
LENS: HARDCOAT

- UNIT DESIGN TO MEET THE D0-160F TEST CATEGORIES AS DEFINED IN THE QTP 05823 TEST REQUIREMENT MATRIX.

- TEST PER ATP 05824.



QTY.	ITEM	PART NUMBER	DESCRIPTION
1		01-0271684-01	FINAL ASSY, MODEL 71685 (14 VDC)
1		01-0271684-00	FINAL ASSY, MODEL 71685 (28 VDC)
*		01-0771685-01	REC LIGHT, LED 14 VDC, MODEL 71685
*		01-0771685-00	REC LIGHT, LED 28 VDC, MODEL 71685

* CUSTOMER ORDER NUMBER