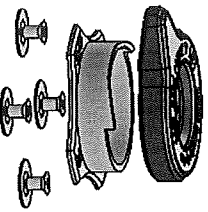
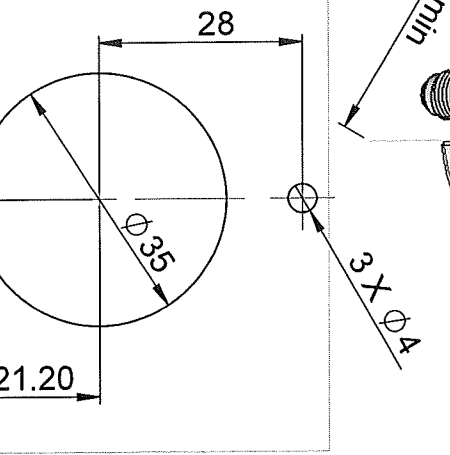
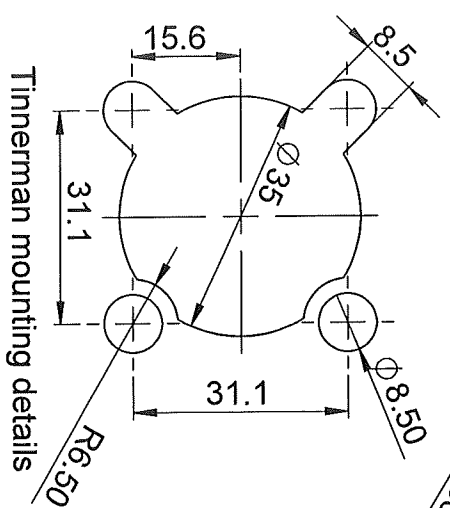
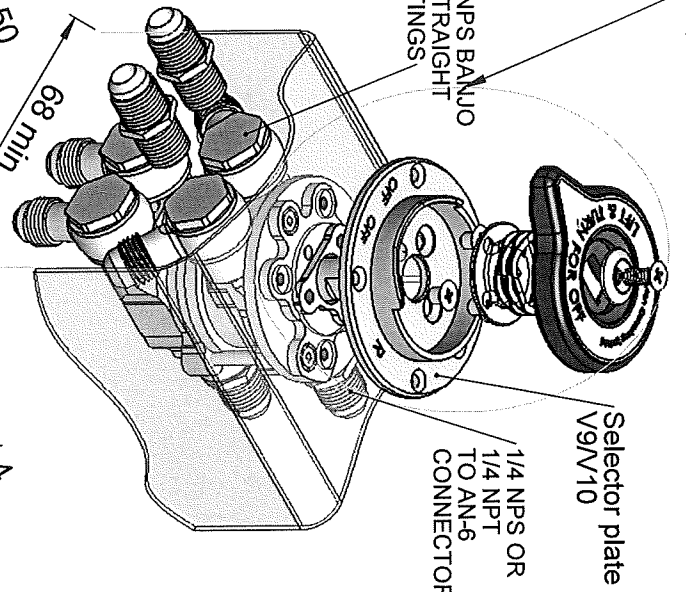


V9 / V10 DUPLEX valve installation

MODELS
V9/V10 - 70 - 3
V9/V10 - 70 - 4
V9/V10 - 70 - 3 - C
V9/V10 - 70 - 4 - C
C = Conforming



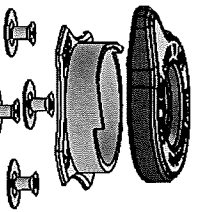
Optional $\phi 54$ selector plate and pointer with tinnermans



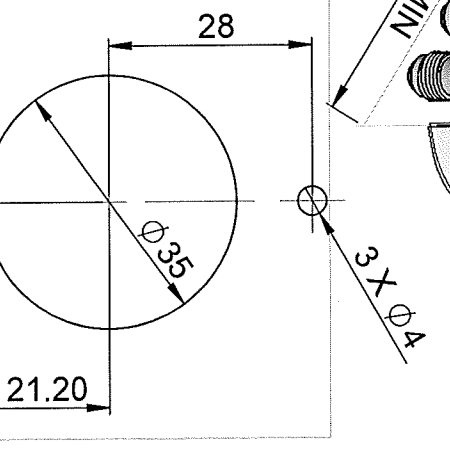
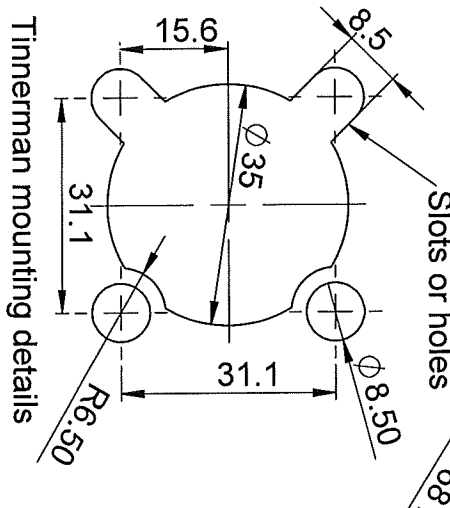
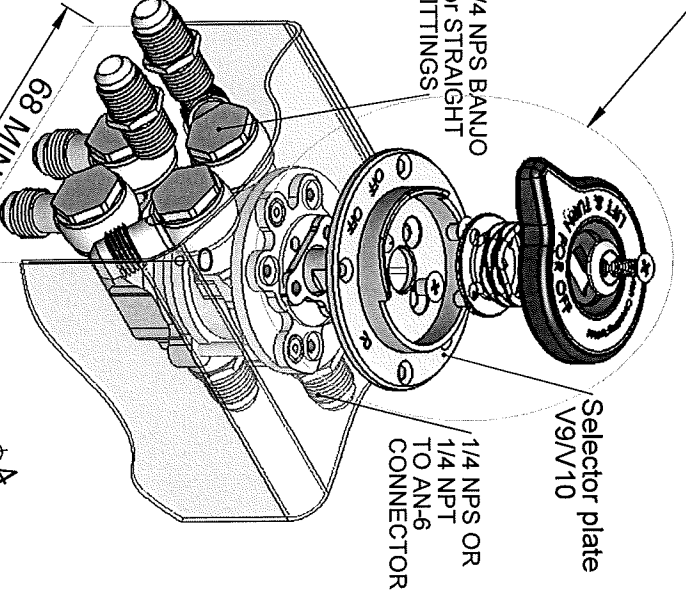
Newton Consulting Sprl Ltd
 BANKSIDE WORKS, LONDON ROAD, CHALFORD,
 STROUD, GLOS. GL6 8PR UK
 Tel: 44(0)1453 884908
 E-Mail: robselby@newtonsprl.co.uk

V9 / V10 DUPLEX valve installation

MODELS
V9/V10 - 70 - 3
V9/V10 - 70 - 4
V9/V10 - 70 - 3 - C
V9/V10 - 70 - 4 - C
C = Conforming



Optional $\phi 54$ selector plate and pointer with tinnermans



Newton Consulting Sprl Ltd
 BANKSIDE WORKS, LONDON ROAD, CHALFORD,
 STROUD, GLOS. GL6 8PR UK
 Tel: 44(0)1453 884908
 E-Mail: robselby@newtonsprl.co.uk