

Developed for:

GSDS Customer Data
Alabama, United States

Developed by:

Matthew Warren Industries
222 E 16th Street
Los Angeles, California 90015, United States
Phone: 800-237-5225

Cylindrical Compression Spring, Round Wire

Part # SPC-1177

Material Stainless 302

Description SPC-1177



End Type Closed/Not Ground Condition Not Preset/Not Peened Autoadjusted Inactive Coils
Grade Commercial Buckling Constraints End fixation not known Coiling Direction Optional

Wire Diameter [in]	0.1480	Arbor Diameter [in]	0.6575	Active Coils	7.000
Wire Dia. Tol. (+/-) [in]	0.0012	Coil ID [in]	0.7040	Total Coils	9.000
Wire Length [in]	24.2243	Coil Mean Diameter [in]	0.8520	Dead Coils	0.0000
Wire Weight [lb]	0.11919	Coil OD [in]	1.0000	Pitch [in]	0.3009
Minimum Tensile Strength (MTS) [psi]	207486	Coil Dia. Tol. (+/-) [in]	0.0080	Pitch Angle [deg]	6.4132
Spring Rate [lbf/in]	138.5288	Shaft OD [in]		Free Length Tol. (+/-) [in]	0.1590
Spring Index	5.7568	Minimum Coil ID [in]	0.6960	Allowable Solid Length [in]	
Natural Frequency [Hz]	381	Expanded Coil OD [in]	1.0141	Estimated Cycle Life:	
Wire Available Yes		Hole Diameter [in]			
		Next Smaller Wire Size 0.1470		Next Larger Wire Size 0.1490	

	Free	Minimum Cycle Load	Maximum Cycle Load	Other Load	At Solid	At Buckle
Load [lbf]	0				148.226	
Load Tolerance (+/-) [lbf]	0					
Length [in]	2.5500				1.4800	
Deflection [in]	0				1.0700	
% of Max. Deflection	0				100	
Corrected Stress [psi]	0				125440	
Corrected % of MTS	0				60.5	
Uncorrected Stress [psi]	0				99202	
Uncorrected % of MTS	0				47.8112	
Expanded Coil OD [in]					1.0141	

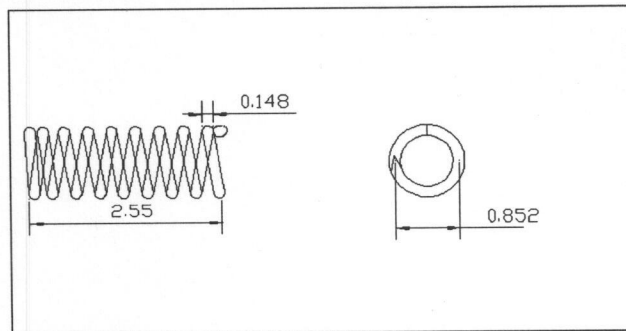
Design Status:

Warning(s):

1. Stress at Solid > 35% Safety Limit

Design Notes:

FL. TOLERANCE +/- .091"
DRAW BAR SPRING





CENTURY SPRING CORP.

CENTURY SPRING

Part Characteristics

Our Reference: PATRICIA PEREZ

Customer Number: IRW909

Order Date: 5/24/2012
PO Number: 370716/371671

Quote Number: 65262
Your Part Number

CHARACTERISTICS for part number SPC-1177 - CLASS DB

Table with 3 columns: Attribute Description, Value, Unit. Rows include FINISH, TYPE OF HOOKS, MATERIAL, ACTIVE COILS, WIRE DIAMETER, OUTSIDE DIAMETER, LENGTH OVER BODY, TOTAL COILS.

IN THE EVENT OF ORDER, THE ABOVE SPECIFICATIONS WILL BECOME OUR GUIDELINE FOR MANUFACTURE. PLEASE VERIFY FOR ACCURACY AND ACKNOWLEDGE THIS FORM AS WE CANNOT BEGIN YOUR ORDER UNTIL THIS CONFIRMATION IS RECEIVED.

YOU.

X

WE RESERVE THE RIGHT TO PASS THROUGH INCREASES IN RAW MATERIAL & OUTSIDE SERVICE COST IN EFFECT AT TIME OF MANUFACTURE. THIS QUOTE CONTAINS ADVISORY INFORMATION ONLY, AND CENTURY SPRING CORP. DISCLAIMS ANY AND ALL LIABILITY OF ANY KIND FOR THE USE, APPLICATION OR ADAPTION OF ALL SPRING DESIGNS.

If a sample has been submitted for pricing, material type must be specified by customer. Century does no metallurgical testing and is not responsible for... The prices and terms on this quotation are not subject to verbal changes or other agreements unless approved in writing by the Home Office of the Seller.

Unless otherwise specified, this quote is to S.M.I. tolerances; BLOCK TOLERANCES DO NOT APPLY TO SPRING

MANUFACTURERS, once in production, cannot be cancelled.

Please refer to quote number when ordering.

We cannot, under any circumstances, assume any responsibility for plating operations or as to what effect such plating will have on the material ordered. Typographical errors and omissions are not subject to correction. Purchaser agrees to accept either overage or shortage not in excess of ten percent to be charged for pro-rata.

Conditions not specifically stated herein shall be governed by established trade customs. Terms inconsistent with those stated herein which may appear on this quotation are hereby rejected. All quotations firm for 30 days.