

ACF-50[®]

ANTI CORROSION FORMULA

HH Spray System User Guide #50000



Operating Instructions:

The **HAND HELD SPRAY SYSTEM** is designed to turn ACF-50 into a dense fog. The equipment has been preset and factory tested to achieve this goal. The equipment is rugged and will provide years of service, with virtually no maintenance, provided reasonable care is taken with its use.

Start Up:

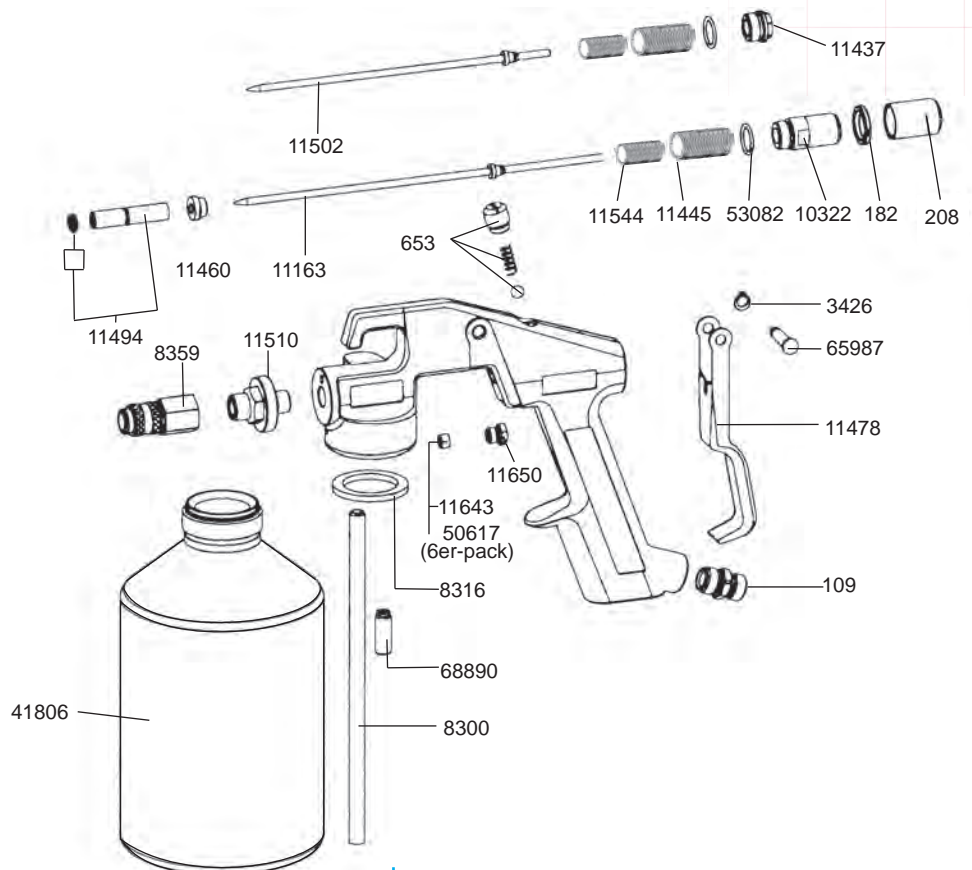
1. Pour ACF-50 into pressure pot filling to within approximately two (2) inches of the top.
2. Attach pressure pot tightly to body of the gun
3. Before attaching air hose to gun, first adjust air pressure between 50 and 60 psi, then connect air hose.
4. Once you have attached the required application wand you are now ready to treat aircraft.

Clean Up:

When treatment process is complete disconnect the application wand. Remove air hose. Unscrew pressure pot just enough to release pressure, then slightly tighten. Remove application wands and return to storage tube.

REPLACEMENT PARTS LIST

109	Air Connecting piece
182	Lock nut
208	Product regulating cap nut
653	Back-check valve
8300	Standpipe for HRS, drilled
8318	Sealing ring
8359	Free passage type quick coupling connection
10322	Guiding sleeve with material flow control
11163	Control needle HRS with material flow control
11213	Round spray nozzle connection 11
11437	End screw
11445	Compression spring for air piston
11460	Air piston
11478	Trigger ready for assembly
11494	Cam rod complete with O-ring
11502	Control needle with needle sleeve
11510	Mixing cap
11544	Compression spring for
11650	Stuffing box
16170	Quick coupling for wand fixation
25486	Round spray nozzle, connection 1
35139	Repair kit for HRS
35204	Wear & tear parts kit for HRS
41806	1 Ltr aluminum pressure pot
50617	Set of packings
53082	O ring 12 x 1.5 mm
65987	Trigger pin
66019	Benzing clamping ring 5.5
68890	Valve cpl



WARNING: Never point spray gun at yourself, at other persons or animals. Before any repair work may be carried out, the unit must be disconnected from the compressed air network and pressure must be released. Before re-using ensure that screws and nuts are correctly tightened, and check that gun and hoses do not leak. Defective components must be replaced or repaired, use original spare parts only.



LEAR CHEMICAL RESEARCH CORPORATION

P.O. Box 1040 Station "B" Mississauga, Ontario L4Y 3W3
PHONE: (905) 564-0018 FAX: (905) 564-2548 1-800-256-2548