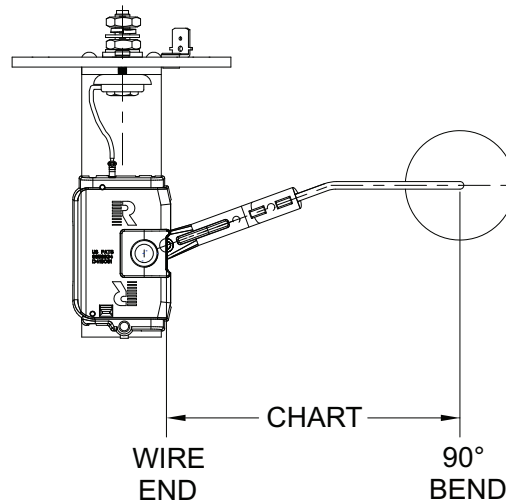




9341-7000 Series Senders ONLY

NOTE: The given cut-off length will allow a minimum of 1" clearance to the bottom of tank at empty.

TANK DEPTH	DISTANCE FROM END OF WIRE TO FLOAT ROD 90° BEND POINT
4" to 4-1/2"	Order p/n 0020-00588
4-1/2" to 5"	Order p/n 0020-00586
5-1/4" to 5-3/4"	Order p/n 0020-00587
6"	2-5/8" *
6-1/2"	2-5/8"
7"	3-1/8"
7-1/2"	3-5/8"
8"	4-1/8"
8-1/2"	4-5/8"
9"	5-1/4"
9-1/2"	5-3/4"
10"	6-1/4"
10-1/2"	6-3/4"
11"	7-1/4"
11-1/2"	7-7/8"
12"	8-3/8"
12-1/2"	8-7/8"
13"	9-3/8"
13-1/2"	9-7/8"
14"	10-1/2"
14-1/2"	11"
15"	11-1/2"
15-1/2"	12"
16"	12-1/2"
16-1/2"	13"
17"	13-5/8"
17-1/2"	14-1/8"
18"	14-5/8"
18-1/2"	15-1/8"
19"	15-5/8"
19-1/2"	16-1/4"
20"	16-3/4"
20-1/2"	17-1/4"
21"	17-3/4"
21-1/2"	18-1/4"
22"	18-7/8"
22-1/2"	19-3/8"
23"	19-7/8"
23-1/2"	20-3/8"
24"	21"
24-1/2"	21-1/2"
25"	22" ***



FOR 72.5° FLOAT TRAVEL

***NOTE: 1/2" CLEARANCE @ E**

*****NOTE: CYLINDRICAL FLOAT IS APPROX. 75% SUBMERGED**

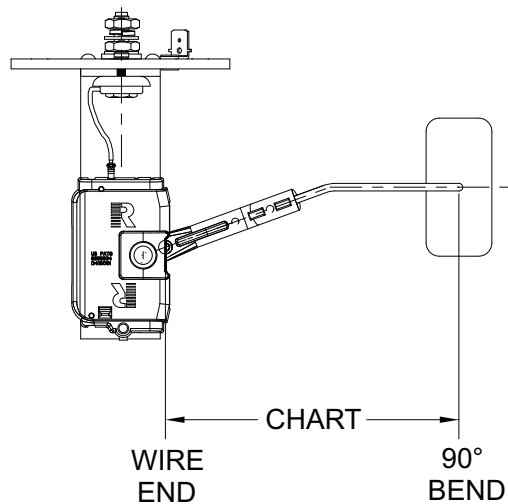
Cut-Off Lengths For 9341-7000 Series



9341-7000 Series Senders ONLY

NOTE: The given cut-off length will allow a minimum of 1" clearance to the bottom of tank at empty.

TANK DEPTH	DISTANCE FROM END OF WIRE TO FLOAT ROD 90° BEND POINT
4" to 4-1/2"	Order p/n 0020-00588
4-1/2" to 5"	Order p/n 0020-00586
5-1/4" to 5-3/4"	Order p/n 0020-00587
6"	2-5/8" *
6-1/2"	2-5/8"
7"	3-1/8"
7-1/2"	3-5/8"
8"	4-1/8"
8-1/2"	4-5/8"
9"	5-1/4"
9-1/2"	5-3/4"
10"	6-1/4"
10-1/2"	6-3/4"
11"	7-1/4"
11-1/2"	7-7/8"
12"	8-3/8"
12-1/2"	8-7/8"
13"	9-3/8"
13-1/2"	9-7/8"
14"	10-1/2"
14-1/2"	11"
15"	11-1/2"
15-1/2"	12"
16"	12-1/2"
16-1/2"	13"
17"	13-5/8"
17-1/2"	14-1/8"
18"	14-5/8"
18-1/2"	15-1/8"
19"	15-5/8" **
19-1/2"	16-1/8"
20"	16-3/4"
20-1/2"	17-1/4"
21"	17-3/4"
21-1/2"	18-1/4"
22"	18-7/8"
22-1/2"	19-3/8"
23"	19-7/8"
23-1/2"	20-3/8"
24"	21"
24-1/2"	21-1/2"
25"	22" ***



FOR 72.5° FLOAT TRAVEL

***NOTE: 1/2" CLEARANCE @ E**

****NOTE: FLAT FLOAT IS APPROX. 80% SUBMERGED**

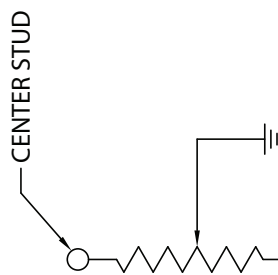
*****NOTE: CYLINDRICAL FLOAT IS APPROX. 80% SUBMERGED**

* Materials and specifications subject to change without notice.
Ratings subject to change due to temperature and other environmental considerations.

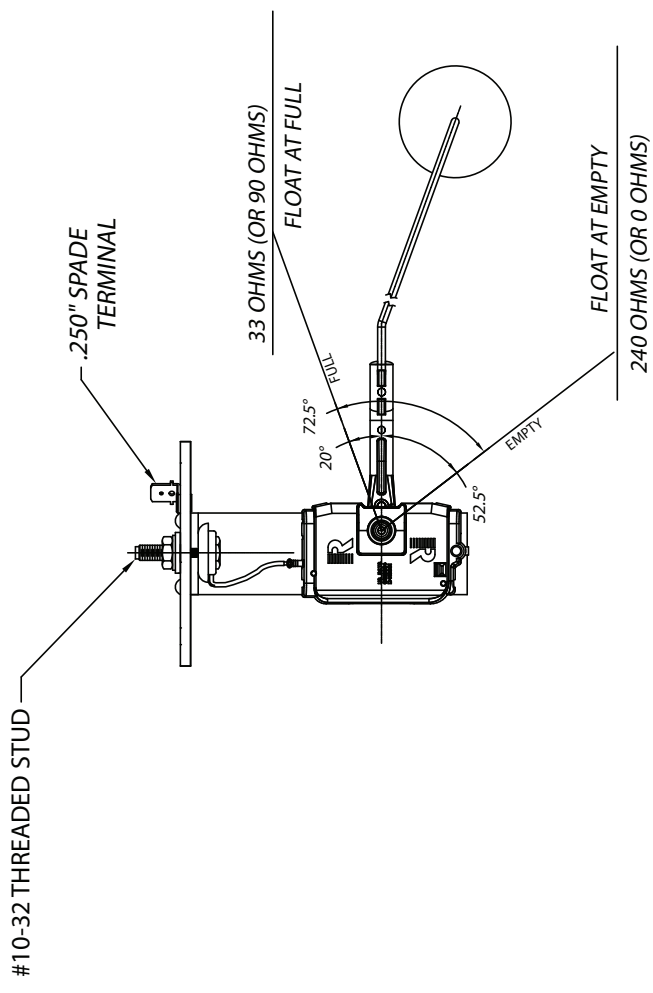
Cut-Off Lengths For 9341-7000 Series



MATERIAL	PAGE 4 OF 4	DRAWING NUMBER DS-1763										
----------	-------------	---------------------------	--	--	--	--	--	--	--	--	--	--



CENTER STUD



#10-32 THREADED STUD


.250" SPADE TERMINAL

33 OHMS (OR 90 OHMS) FLOAT AT FULL

240 OHMS (OR 0 OHMS) FLOAT AT EMPTY

WARNING: CONNECT CENTER TERMINAL TO A 240-33 OHM (OR 0-90 OHM) FUEL LEVEL INDICATOR ONLY. DO NOT CONNECT CENTER TERMINAL TO PRIMARY VOLTAGE. FIRE HAZARD AND DAMAGE FROM SHORT CIRCUIT MAY RESULT IF IGNITION WIRE TOUCHES EITHER CENTER TERMINAL OR WIRE THAT IS CONNECTED TO CENTER TERMINAL.

CAUTION: THESE INSTRUCTIONS (DS-1763) ARE INTENDED FOR NEW INSTALLATIONS AND NOT FOR REPLACEMENT INSTALLATIONS.

LET	REVISIONS	E.R.#	DATE	LET	REVISIONS	E.R.#	DATE	LET	REVISIONS	E.R.#	DATE
TOLERANCES NOT SHOWN	² PIC ±.010	AA		DO NOT SCALE DRAWING	SCALE 1/2			DRAWN JJ	CHK. JJ		
ANGLES	³ PIC ±.005	AAA	±1°	SUPERSEDES NEW	PART NAME 9341-7000 WIRING INSTRUCTIONS					E.R.# 30829	USED ON
 ROCHESTER GAUGES, INC., DALLAS, TEXAS, U.S.A.											
OF TEXAS DRAWING NUMBER DS-1763											

08/19/14