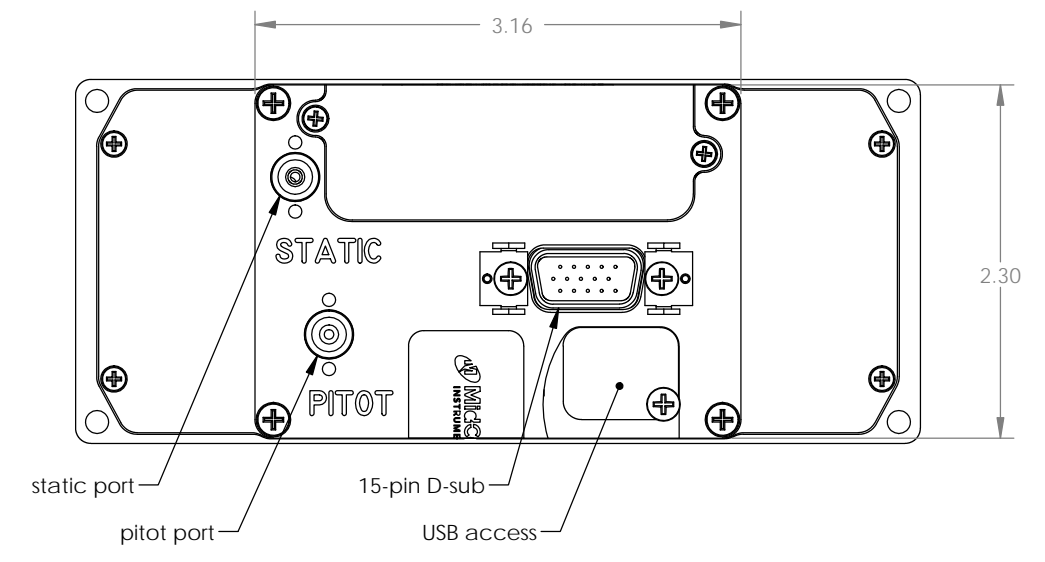
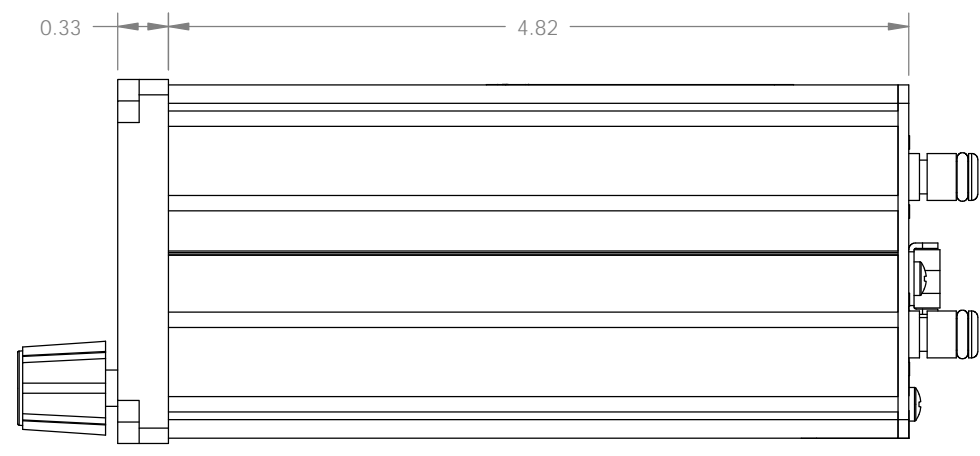
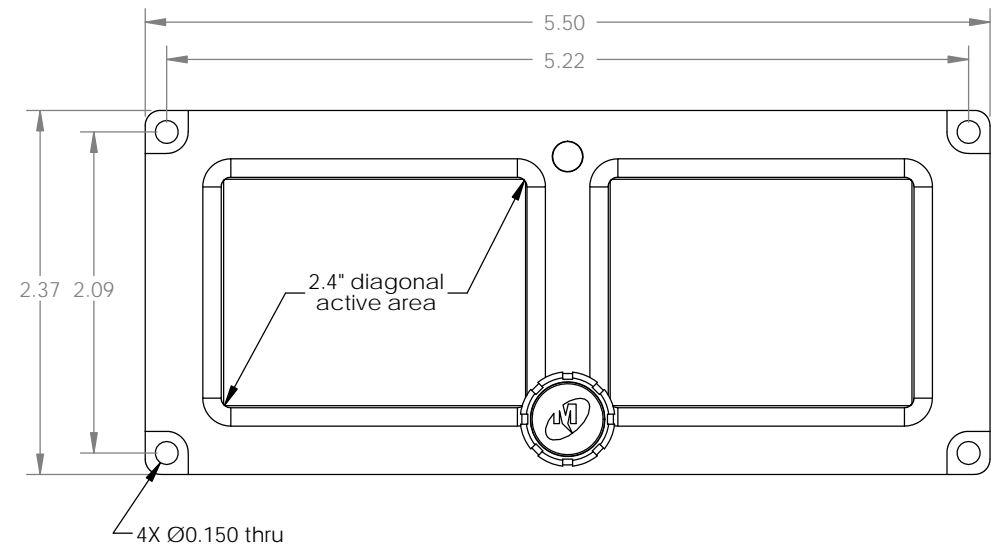


Configuration	
Dash #	
-1	As Shown

Revision				
ECO	Rev.	Description	Date	Approved
	A	Production release.	10/04/12	MKN/BAW



SPECIFICATIONS	
Model	MD302 Standby Attitude Module (SAM™)
Features	Panel-mounted solid-state Digital Flight Indicator providing attitude, altitude, airspeed, and slip with LCD display and data output
Configuration	Installation options for panel tilt, range markings, attitude appearance, display orientation, altitude/airspeed units, lighting characterization and data output format
Certifications	FAA TSO-C2d (Type B), C3e, C4c, C10b, C106, C113a, C179a
Qualifications	RTCA DO-178B, Level A RTCA DO-254, Level A RTCA DO-160G (F1)(S2)AB[R(BB1)]XXXXXXZ(ZXX)AZ(ZC)[WF]P[B3H33]XXAX
Output	ARINC 429 information for attitude, altitude, and airspeed
Updates	Field updates available via download and installed using standard USB flash drive
Display	(2) 2.4" QVGA TFT Active Matrix LCDs
Power Input	10-32VDC; 0.15 watts nominal, 25 watts maximum
Backup Power	Integrated rechargeable and field-replaceable battery provides 1 hour minimum of backup power
Case/Bezel	Aluminum extrusion case with black anodized bezel
Mating Connector	15-pin D-Sub Configuration Module, MCIA p/n 9017275 Pitot / Static quick disconnect fittings; MCIA p/n 9017642
Weight	1.6 lbs (0.73 kg)

Connector Pinout			
1	+10-32VDC input	8	ARINC out B
2	valid signal out	9	reserved
3	ARINC out A	10	config clock
4	reserved	11	reserved
5	config power	12	ARINC in A
6	ground	13	ARINC in B
7	lighting bus input	14	config data
		15	config return

Item	Qty	Part Number	Description
1	1	9017165-1	Assembly, MD302
2	1	9017790-1	Nameplate, MD302
3	1	6018956	Label, Warranty
4	1	DC-9	Dust Cap, Size 9 D-sub
5	2	VC-213-8	Dust Cap, air ports

UNLESS OTHERWISE SPECIFIED, ALL DIMENSIONS ARE IN INCHES. TOLERANCE:
 FRACTIONAL=±1/64
 .XX=±0.015
 .XXX=±0.005
 .XXXX=±0.002
 ANGULAR=±0.5°
 CONCENTRICITY: 0.005 TIR
 BREAK ALL SHARP EDGES
 THREADS PER MIL-S-7742

DRAWN:
BAW
9/21/2012

APPROVED:
MKN
10/4/2012

This document discloses proprietary information of Mid-Continent Instrument Co., Inc. It may be reproduced or disclosed only with written permission of Mid-Continent Instrument Co., and is not to be used in any way detrimental to the interests of Mid-Continent Instrument Co., Inc.

MidContinent™
INSTRUMENTS+AVIONICS

TITLE:
Digital Flight Instrument

PART NUMBER:
6420302

SCALE: 4:5 DO NOT SCALE THIS DRAWING SHEET: 1 of 1