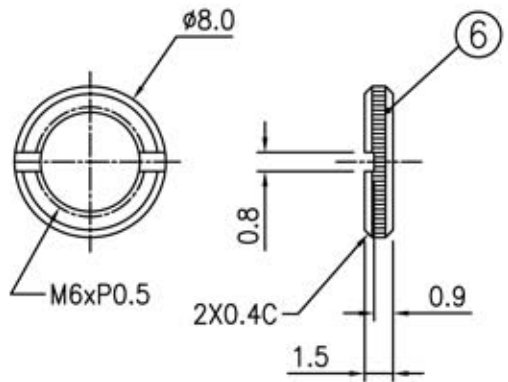


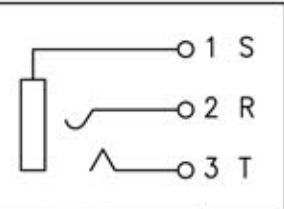
PCB LAYOUT (BOTTOM VIEW)



SPEC :

1. Operating temperature : -20°C~60°C
2. Storage temperature : -25°C~70°C
3. Rated voltage/ current : 16VDC/ 20mA~0.3A
4. Insulation resistance : ≥ 100MΩ
5. Contact resistance : ≤ 100mΩ
6. Dielectric strength : 0.5mA, AC 500V, 1 minute
7. Insertion/ withdrawal force : ≥ 0.3kgf
8. Life cycle : 5000 cycles min.

RoHS



NO.	PART NAME	DESCRIPTION	QTY	REMARK
6	NUT	BRASS, NICKEL-PLATED	1	
5	HOUSING	PBT, BLACK	1	
4	BUSHING	BRASS, NICKEL-PLATED	1	
3	TIP	P.B.S, TIN-PLATED	1	
2	RING	P.B.S, TIN-PLATED	1	
1	SLEEVE	BRASS, TIN-PLATED	1	