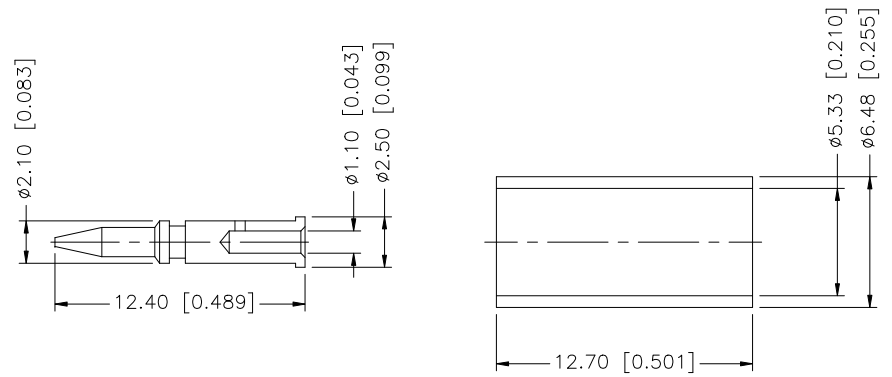
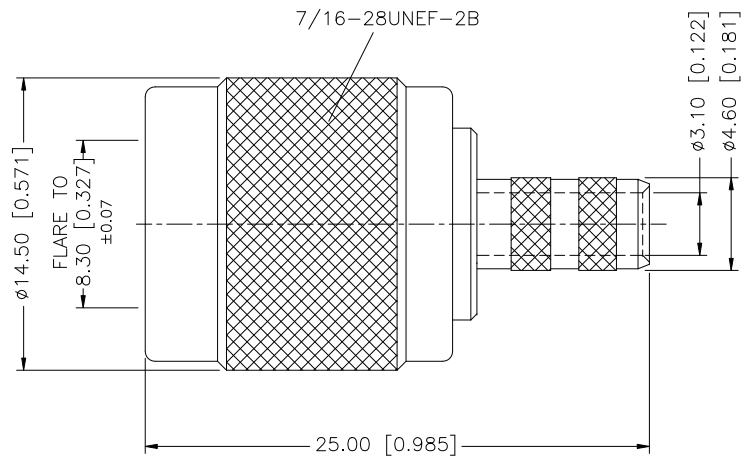
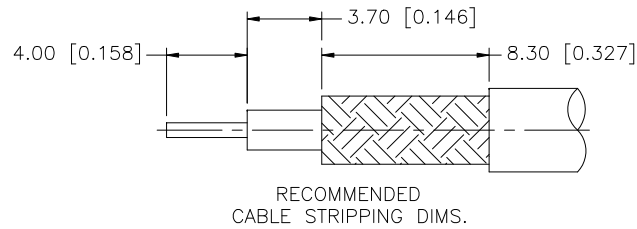


REV.	DATE	ECR NO.	DESCRIPTION
A	12/23/02	-	MODIFY CONTACT PIN LENGTH TO 12.25mm
B	07/16/08	-	MODIFY CONTACT PIN LENGTH TO 12.40mm



NOTE:

1. CRIMPED FERRULE HEX CRIMP SIZE .213" [5.41]
2. CRIMPED CONTACT PIN HEX CRIMP SIZE .068" [1.73]

DESCRIPTION	MATERIAL	FINISH	QTY	DO NOT SCALE DRAWING	APPROVALS	DATE	<h1 style="color: blue; margin: 0;">Amphenol Connex</h1>		
8				<small>UNLESS OTHERWISE SPECIFIED DIMENSIONS ARE IN MILLIMETERS. DIMENSIONS IN [ ] ARE IN INCHES AND FOR CUSTOMER REFERENCE ONLY.</small>  <small>UNLESS OTHERWISE SPECIFIED TOLERANCES FOR MILLIMETERS ARE:</small> 0.5 - 8mm ± 0.20mm 8 - 30mm ± 0.40mm 30 - 120mm ± 0.50mm  <small>UNLESS OTHERWISE SPECIFIED TOLERANCES FOR INCHES ARE:</small> .020 - .315 = ± 0.007" .315 - 1.180 = ± 0.015" 1.180 - 4.724 = ± 0.020"	DRAWN	G.R.S.		07/16/08	<b>Part Description</b> TNC STRAIGHT CRIMP PLUG-CAPTIVE CONTACT (FOR RG-58/U CABLE)
7			CHECKED					<b>Part No.</b> 122108	
6			ISSUED						
5	FERRULE	BRASS	NICKEL		1	SHEET			
4	GASKET	RUBBER	RED		1	CAD FILE	C:/122/122108.DWG		
3	INSULATOR	DELTRIN	NATURAL	1					
2	CONTACT PIN	BRASS	GOLD	1					
1	SHELL/BODY	BRASS	NICKEL	1					