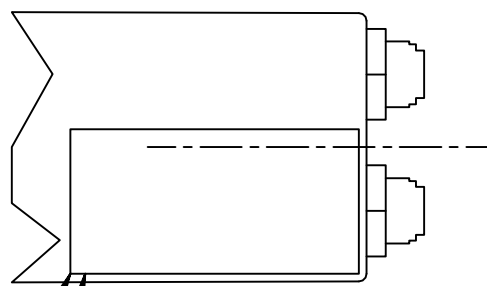


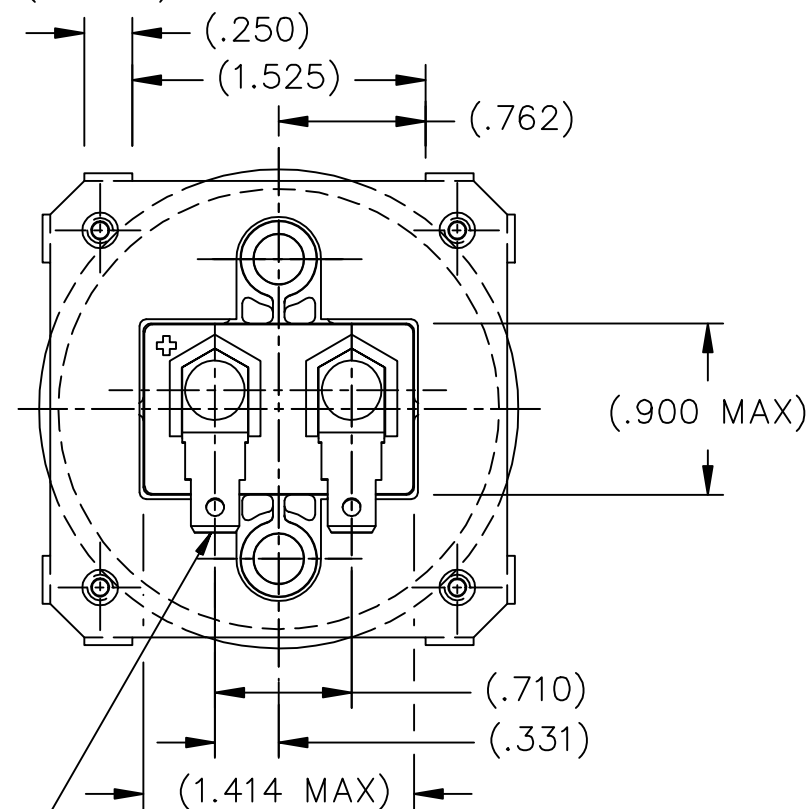
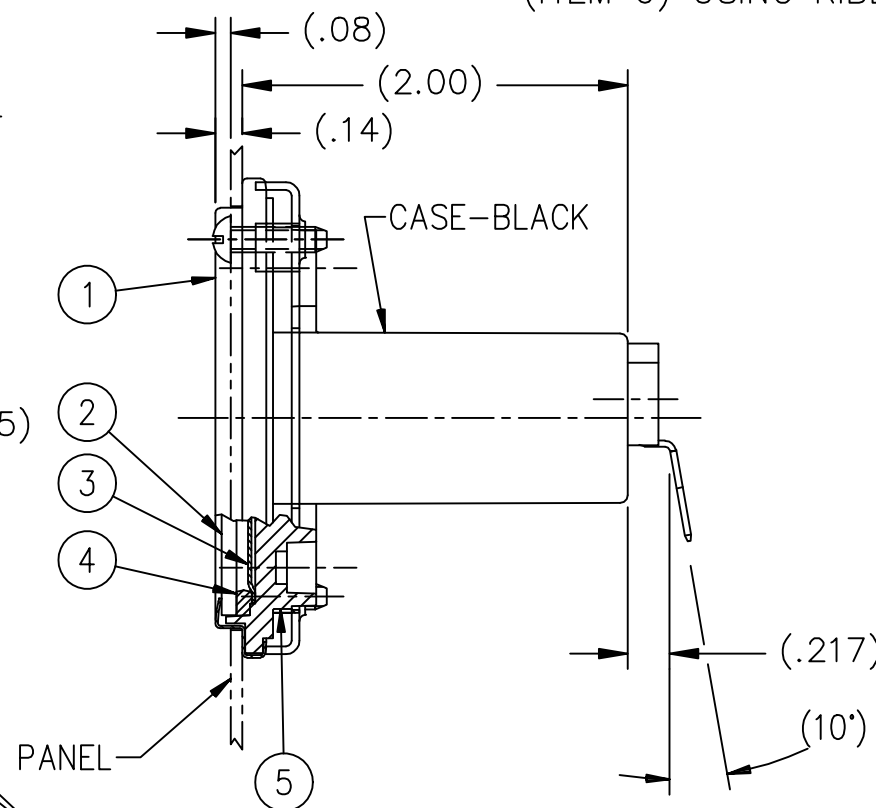
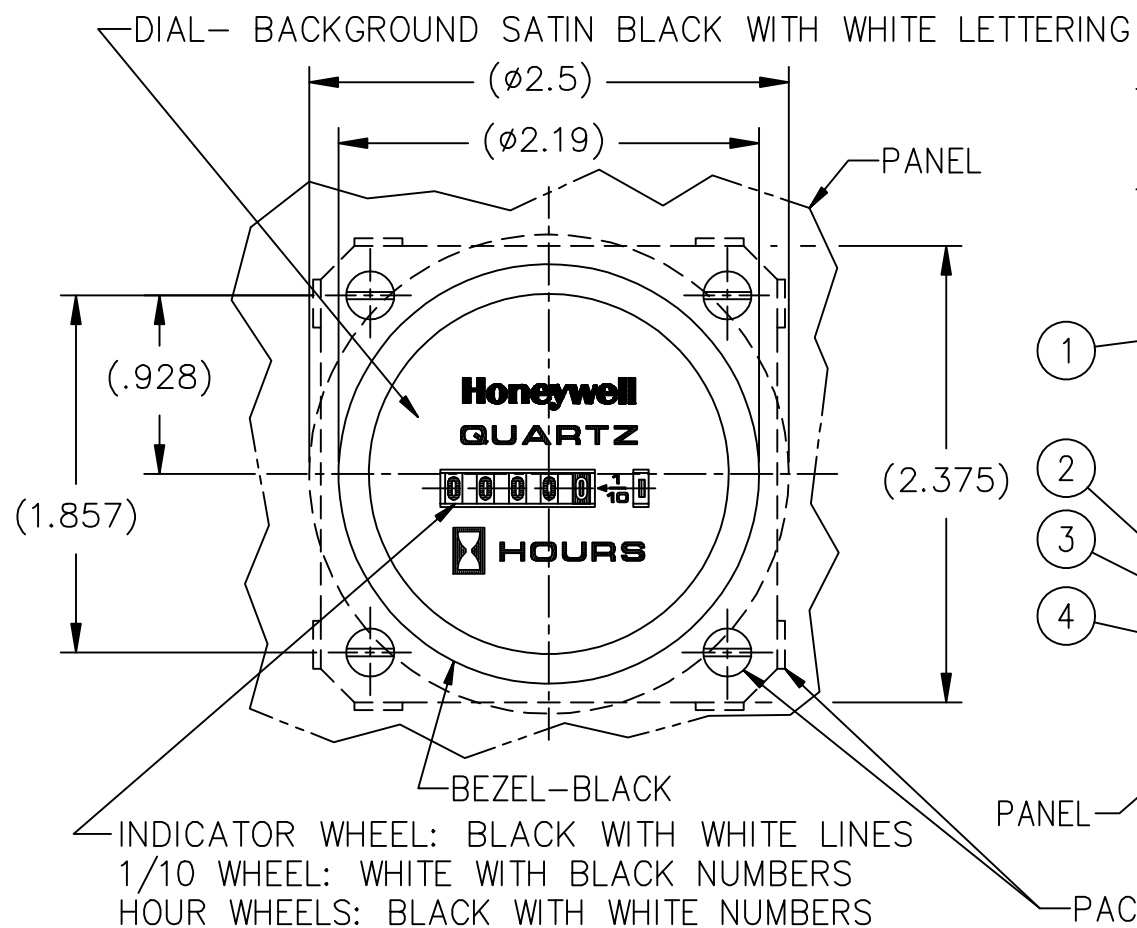
HONEYWELL PART NUMBER
85011

ITEM	PART NO.	DESCRIPTION	QTY.
1	9459	BEZEL	1
2	77709	LENS	1
3	75898	DIAL	1
4	77464	GASKET	1
5	78245	MOVEMENT/CASE SUB-ASSY	1
6	79022	LABEL, BLANK	AR
7	79055	RIBBON	AR

REV	DOCUMENT	CHANGED BY	CHECK
C	0067194	SSK 10JUL10	CMH



⑥ PART NO., RANGE 10-32 V.D.C., DATE CODE, POLARITY SENSITIVE, UL RECOGNIZED SYMBOL WITH (FILE NO) AU1774 & CSA SYMBOL WITH (FILE NO) LR42455 TO BE PRINTED ON LABEL (ITEM 6) USING RIBBON (ITEM 7) & AFFIXED TO CASE AS SHOWN.



—TERMINALS TO ACCEPT GM TERMINAL 2962447 AND GM CONNECTOR 2962448 OR EQUIVALENT

—PACKED SEPARATELY UNLESS OTHERWISE SPECIFIED. (SEE 992,000)

SIM. TO: 80004 & 15006

- NOTES:
- METER MUST BE MOISTURE RESISTANT WHEN SUBMERGED IN WATER AT +150° F. FOR 3 MINUTES.
  - SEE 992,000 FOR PACKING OPTIONS.
  - METER REQUIRES A  $\phi 2.21/2.20$  MOUNTING HOLE.
  - TIGHTEN SCREWS TO 5 IN. LB. MAX. TO SECURE HOURMETER INTO PANEL.
  - DATE CODE IS A 5 DIGIT NO., 1ST & 2ND DIGITS REPRESENT THE YEAR, THE NEXT 3 DIGITS REPRESENT THE DAY. EXAMPLE: 92285 IS 285TH DAY OF 1992

DESIGN UNITS: INCH	DRAWN	DDC	22MAY92
TOLERANCES UNLESS NOTED:	CHECK	-	-
NO PLACES X ± -	THIS DRAWING COVERS A PROPRIETARY ITEM AND IS THE PROPERTY OF HONEYWELL. THIS DRAWING IS NOT TO BE COPIED OR USED WITHOUT THE PERMISSION OF HONEYWELL.		
ONE PLACE .X ± .020	INTERPRET PER ASME Y14.5M-1994 OTHER HONEYWELL ENGINEERING STANDARDS MAY APPLY		
TWO PLACE .XX ± .010	SIZE	TYPE	CAGE CODE
THREE PLACE .XXX ± .005	B	E	-
FOUR PLACE .XXXX ± .0005	DRAWING NAME		
ANGLES X ± 0'30'	85011		
THIRD ANGLE PROJECTION	SCALE	1:1	SHEET
	AUTOCAD	2D	1 OF 1

<b>Honeywell</b>			
TITLE			
QUARTZ PLUS HOURMETER 10-32 VDC 10,000 HRS (2.5 DIA AIRCRAFT BRKT)			
REV	DRAWING NAME	CAGE CODE	TYPE
C	85011	-	E
SCALE	1:1	SHEET	1 OF 1