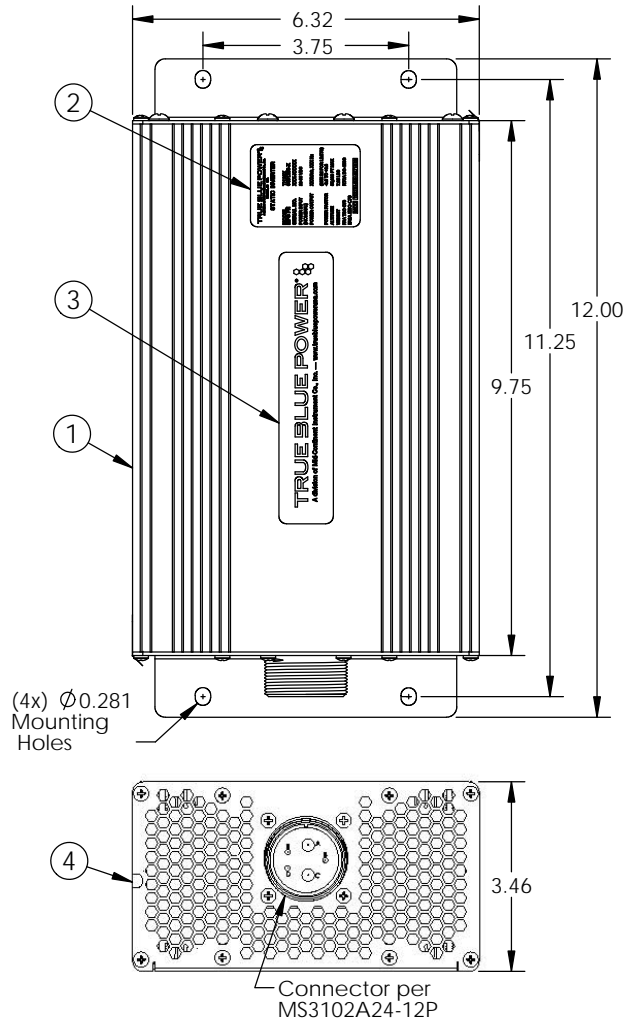
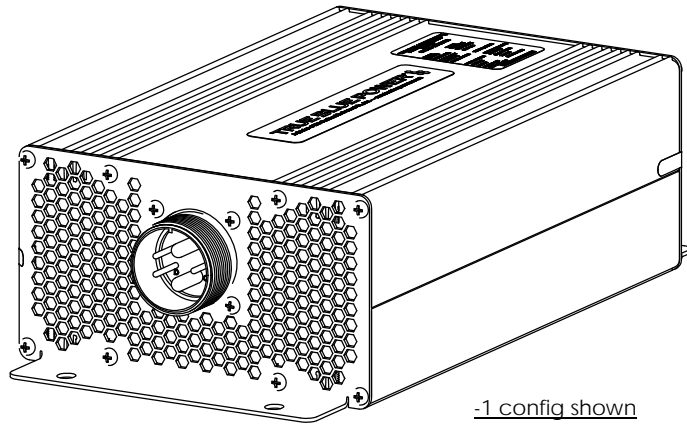
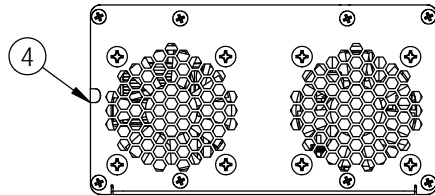


Configuration					
Dash #	Assembly	Nameplate	Qualification	Model	OutPut
-1	9017383	9017663	TSO	TI1200	115 VAC, 60 Hz
-2	9018214	9018215	Non-TSO	TI1200	115 VAC, 60 Hz
-3	9018277	9017663	TSO	TI1202	230 VAC, 50 Hz
-4	9017383-1	9017663	TSO	TI1200	115 VAC, 60 Hz
-5	9018277-1	9017663-1	TSO	TI1202	230 VAC, 50 Hz
-6	9017383-2	9017663-2	TSO	TI1204	115 VAC, 400 Hz

Revision				
ECO	Rev.	Description	Date	Approved
		See obsolete drawings for revision history.		
6654	H	Added -5 config.	08/05/16	VAA/MKN
6734	J	Added -6 configuration.	03/03/17	VAA/MKN
6775	K	Weight in title block was Concentricity. Weight was 7.25 lbs, delete max from weight specification.	07/06/17	Sch /VAA



Connector Pinout	
A	24-32VDC Input
B	VAC Output
C	Input Return
D	Output Return
E	Remote On/Off



Specifications	
Model Number	See config table
Power Input	20-36 VDC Max, 60 Amps Max @ 28VDC
Power Output	1200 VA, See configuration table for AC voltage
Power Factor	-0.8 to +0.8
Features	88% Efficiency, Remote ON/OFF,
	Single Phase Sine Wave, Harmonic Distortion under 2.8%
Protection	Ov ertemp, Short Circuit, Underv oltage, Ov erv oltage
Overload	150% for 5 minutes
Weight	7.3 lbs
Qualification	FAA TSO-C73, EASA ETSO C73
	RTCA DO-160G Env. Cat. See installation manual
Temperature	-55°C to +70°C
Altitude	55,000 feet MAX
Mating Connector	TBP p/n's 9017235-1 and 9017235-2, or equivalent
Case	Anodized Aluminum, Blue
Install Manual	TBP p/n 9017680

Item	Qty	Part Number	Description
1	1	See config.	Inverter Assembly
2	1	See config.	Nameplate
3	1	9017130	Label, True Blue Power
4	2	6018956-1	Decal, Warranty TBP

UNLESS OTHERWISE SPECIFIED, ALL DIMENSIONS ARE IN INCHES.
TOLERANCE:
FRACTIONAL=±1/64
.XX=±0.015
.XXX=±0.005
.XXX=±0.002
ANGULAR=±0.5°
WEIGHT: N.T.E.+5%
BREAK ALL SHARP EDGES
THREADS PER MIL-S-7742

DRAWN:
JDS
08/11/2011

APPROVED:
MKN
05/30/2012

This document discloses proprietary information of Mid-Continent Instrument Co., Inc. It may be reproduced or disclosed only with written permission of Mid-Continent Instrument Co., Inc. and is not to be used in any way detrimental to the interests of Mid-Continent Instrument Co., Inc.

TRUE BLUE POWER
A division of Mid-Continent Instrument Co., Inc.

TITLE:
INVERTER, 1200VA, DC to AC

PART NUMBER:
6431200

SCALE: 1:3.5

DO NOT SCALE THIS DRAWING

SHEET: 1 of 1