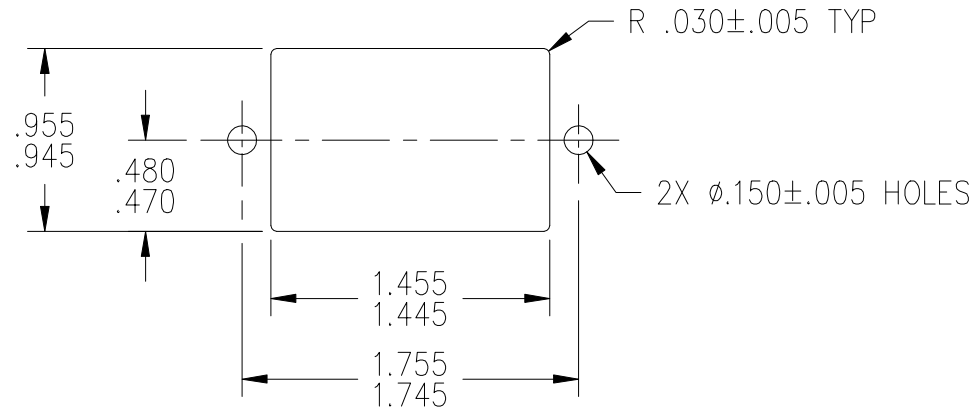
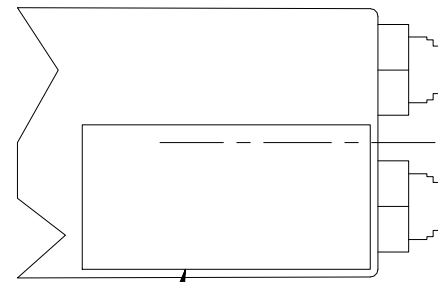


HONEYWELL  
PART NUMBER  
85094

REV	DOCUMENT	CHANGED BY	CHECK
D	0067738	SSK 28JUL10	CMH

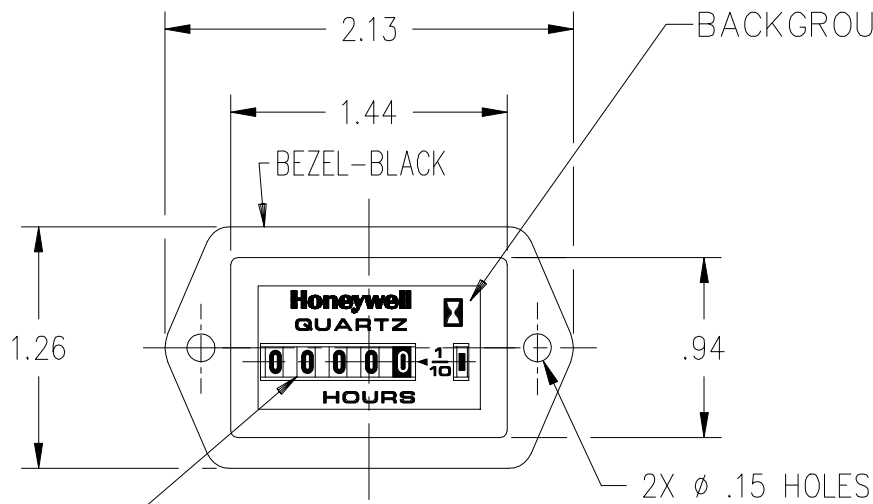


MOUNTING HOLES



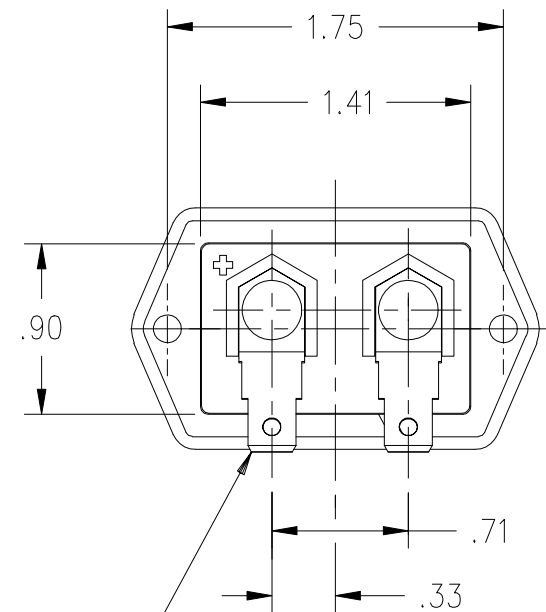
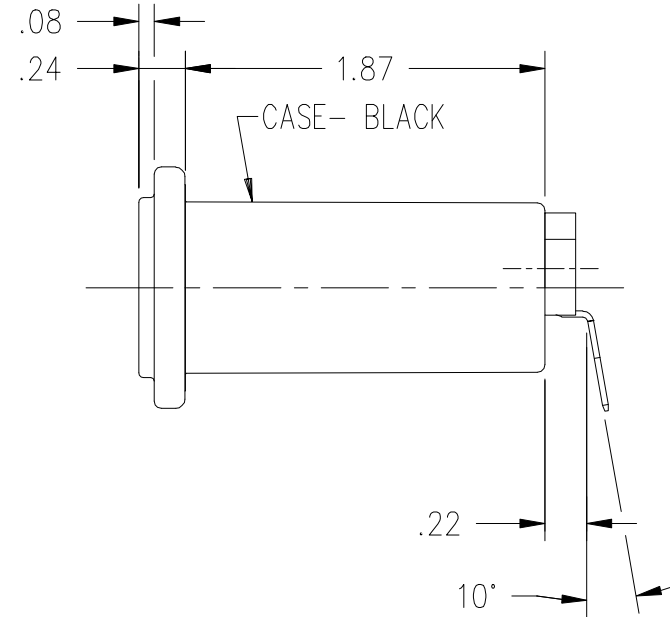
PART NO., VOLTAGE, DATE CODE, POLARITY SENSITIVE, UL RECOGNIZED SYMBOL WITH (FILE NO) AU1774 & CSA SYMBOL WITH (FILE NO) LR42455 TO BE PRINTED ON LABEL.

CUSTOMER: \_\_\_\_\_  
APPROVED BY: \_\_\_\_\_  
DATE: \_\_\_\_\_  
CUSTOMER PART NO.: \_\_\_\_\_



BACKGROUND SATIN BLACK WITH WHITE LETTERING

INDICATOR WHEEL: BLACK WITH WHITE LINES  
1/10 WHEEL: WHITE WITH BLACK NUMBERS  
HOUR WHEELS: BLACK WITH WHITE NUMBERS



TERMINALS TO ACCEPT GM TERMINAL 2962447 AND GM CONNECTOR 2962448 OR EQUIVALENT.

NOTES:

- 1 - METER MUST BE MOISTURE RESISTANT WHEN SUBMERGED IN WATER AT +150° F. FOR 3 MINUTES.
- 2 - DATE CODE IS A 5 DIGIT NO., 1ST & 2ND DIGITS REPRESENT THE YEAR, THE NEXT 3 DIGITS REPRESENT THE DAY. EXAMPLE: 92285 IS 285TH DAY OF 1992
- 3 - OPERATING RANGE: 10 VDC (MIN) THRU 80 VDC (MAX).
- 4 - DIMENSIONS ARE FOR REFERENCE ONLY UNLESS OTHERWISE SPECIFIED.

SIM. TO: 85000

CUSTOMER PRINT

DESIGN UNITS: INCH	DRAWN	DDC	23OCT01	<b>Honeywell</b>									
TOLERANCES UNLESS NOTED:	CHECK	-	-					TITLE QUARTZ PLUS HOURMETER 12-60 VDC SYSTEM 10,000 HRS (2 SCREW FLANGE)					
NO PLACES X ± .020	THIS DRAWING COVERS A PROPRIETARY ITEM AND IS THE PROPERTY OF HONEYWELL. THIS DRAWING IS NOT TO BE COPIED OR USED WITHOUT THE PERMISSION OF HONEYWELL.			SIZE	TYPE	CAGE CODE	DRAWING NAME					REV	
ONE PLACE .X ± .010				B	I	-	85094	D					
TWO PLACE .XX ± .005				INTERPRET PER ASME Y14.5M-1994 OTHER HONEYWELL ENGINEERING STANDARDS MAY APPLY			SCALE	1:1		SHEET	1 OF 1		
THREE PLACE .XXX ± .0005							THIRD ANGLE PROJECTION						
FOUR PLACES .XXXX ± 0°30'													
ANGLES X ±	AUTOCAD 2D												