

Bingo 3

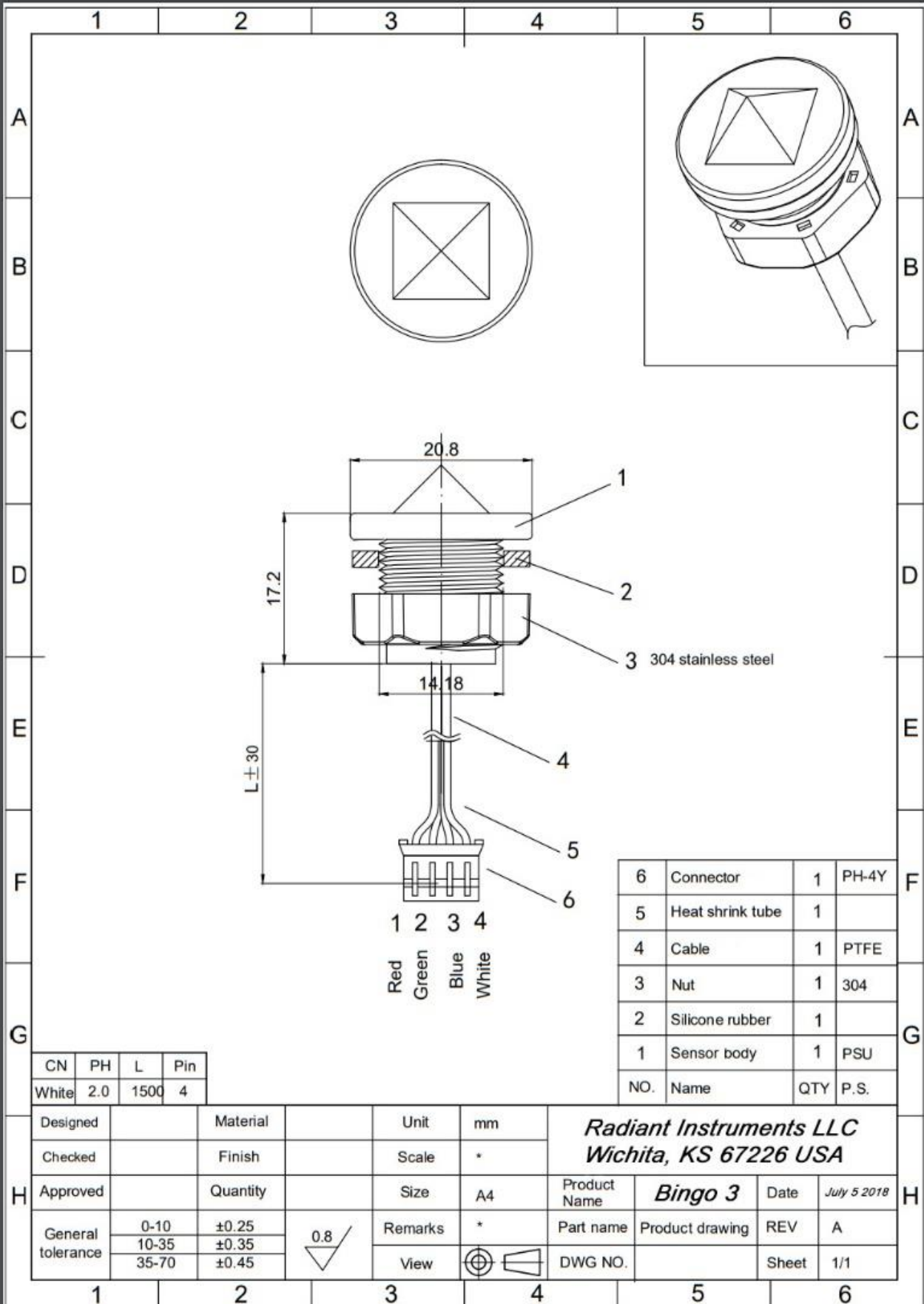
Bingo 3 is a general purpose liquid detector. It provides an indication of the presence or absence of liquid and is ideal for monitoring critical heights on any liquid tank, including gasoline, jet fuel or diesel. It uses infrared refraction differences to reliably and immediately indicate whether the sensor is immersed in liquid. It is mountable on any wall of an enclosure. When properly mounted, the LED portion of the sensor is outside of the tank and only the optical facets penetrate into the tank.



Bingo 3 liquid detector

FEATURES & SPECIFICATIONS

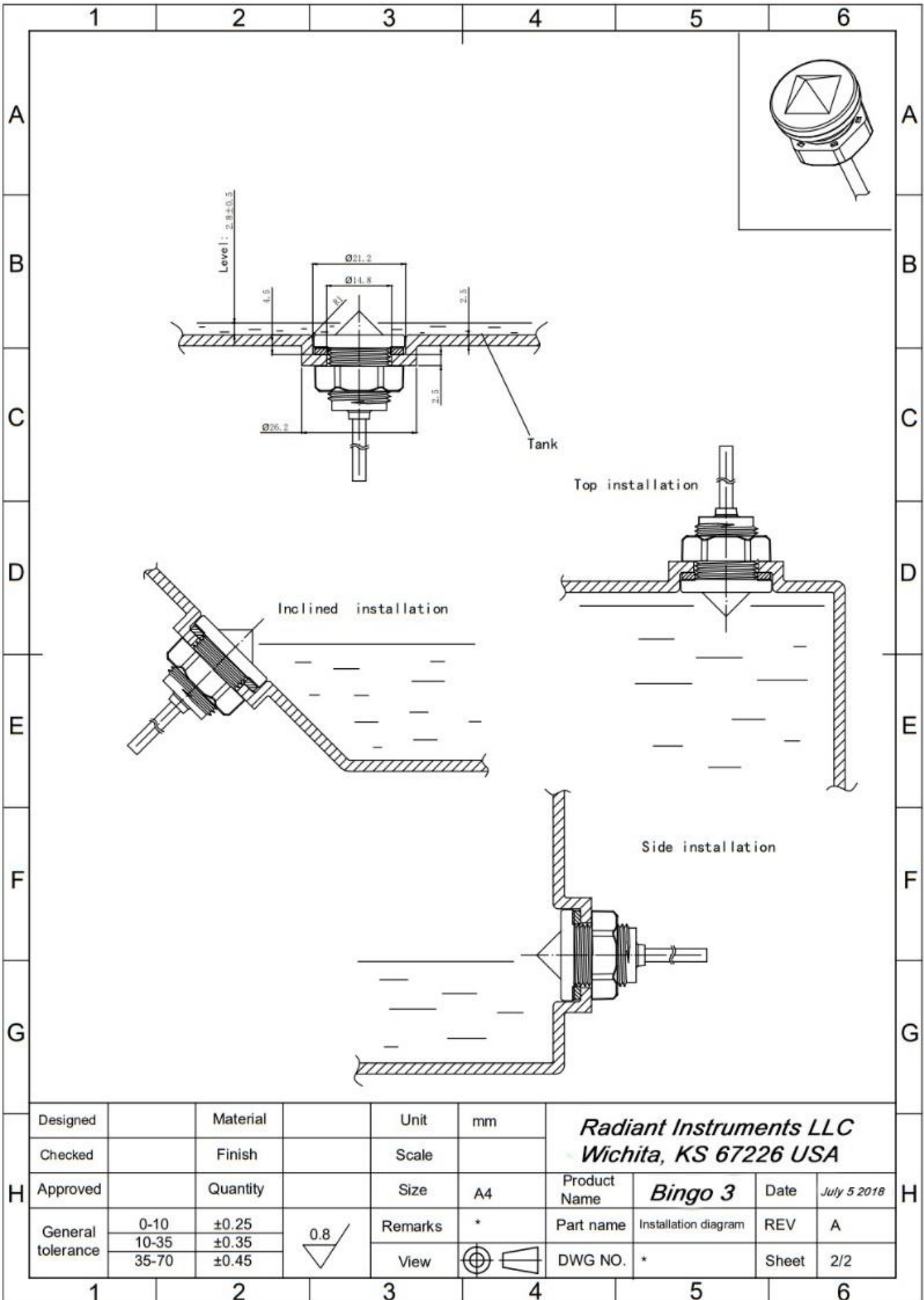
- ✓ Small size
- ✓ Easy Installation
- ✓ IP68 enclosure
- ✓ Standard +5V power supply
- ✓ Basic Interface board available separately, allows +12V power supply and LED capable signal output.
- ✓ Advance Interface board with LED, power supply, off/dim/bright switch, 6' cable available separately.
- ✓ Logic Level Signal Output (0 – 5v)
- ✓ ROHS compliant
- ✓ Sensor recesses into tank; Electronics are outside of tank
- ✓ May integrate into EFIS – check EFIS vendor



6	Connector	1	PH-4Y
5	Heat shrink tube	1	
4	Cable	1	PTFE
3	Nut	1	304
2	Silicone rubber	1	
1	Sensor body	1	PSU
NO.	Name	QTY	P.S.

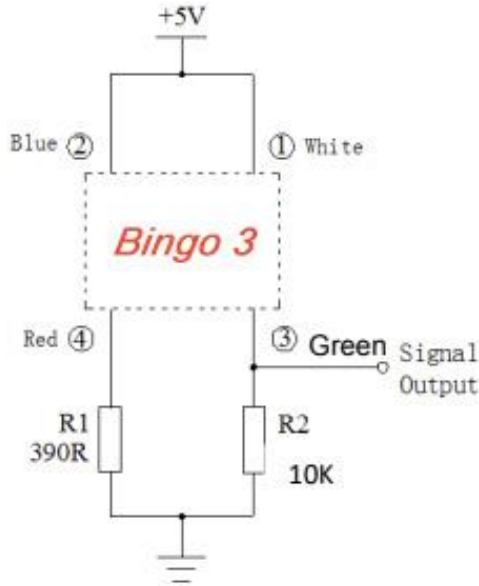
CN	PH	L	Pin
White	2.0	1500	4

Designed	Material	Unit	mm	Radiant Instruments LLC Wichita, KS 67226 USA				
Checked	Finish	Scale	*					
Approved	Quantity	Size	A4	Product Name	Bingo 3	Date	<i>July 5 2018</i>	
General tolerance	0-10	±0.25	Remarks	* View	Part name	Product drawing	REV	A
	10-35	±0.35					Sheet	1/1
	35-70	±0.45			DWG NO.			



Designed		Material		Unit	mm	Radiant Instruments LLC Wichita, KS 67226 USA			
Checked		Finish		Scale					
Approved		Quantity		Size	A4	Product Name	Bingo 3	Date	July 5 2018
General tolerance	0-10	± 0.25		Remarks	*	Part name	Installation diagram	REV	A
	10-35	± 0.35		View		DWG NO.	*	Sheet	2/2
	35-70	± 0.45							

APPLICATION CIRCUIT



Bingo 3 Electrical Interface

INSTALLATION

- ✓ Use Mounting and Mechanical information to mount sensor in tank
- ✓ Mount LED / switch board in panel; attach to +12V (optional)
- ✓ Test system via observing proper operation as liquid drains from tank

OPERATION

- ✓ Use ONLY as an addition to flight planning; do not rely on this unit for critical decisions
- ✓ Use ONLY as a tool to increase flight safety; use common sense
- ✓ LED ON: Liquid is absent
- ✓ LED OFF: Liquid is present

THREE PURCHASE OPTIONS

- ✓ Bingo 3 base unit is part # BINGO3-A [the base unit is best for OEMS and tech familiar installers] [just the sensor as shown in the mechanical drawing, earlier in this document]
- ✓ Bingo 3 base unit and basic interface board with +12 power input and LED capable output drive is part # BINGO3-B [includes a small interface board with +12; ground; logic and LED compatible output drive] [best for people who want to select and install their own LED or attach to an EFIS]
- ✓ Bingo 3 and advanced interface board with +12V input, LED, switch, and 6' cable is part # BINGO3-C [best for people who want to install Bingo 'plug and play' into their panel]

In summary of these options: the first option is best for OEMs and techies; the second option is best for people who want to select their own LED; the third option is best for people who want total plug and play with a Bingo and premade harness.

DISCLAIMER: Products from RADIANT Technology are not designed to be used in applications where their failure would endanger safe flight or human life in any way. They are intended solely for use in VFR conditions. They are not certified to meet any Technical Standard Order and are not produced under a Parts Manufacturing Authority (TSO / PMA). As a result, they are suitable only for use in experimental and ultralight aircraft, and in Light Sport Aircraft, if meeting the requirements of the respective manufacture.