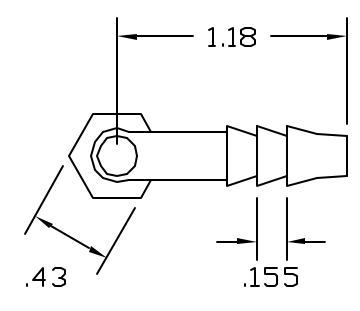
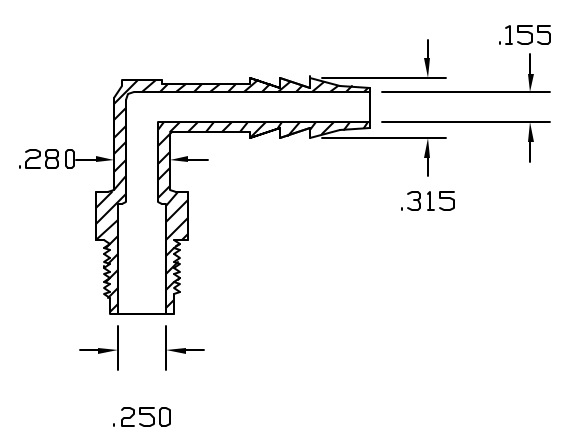
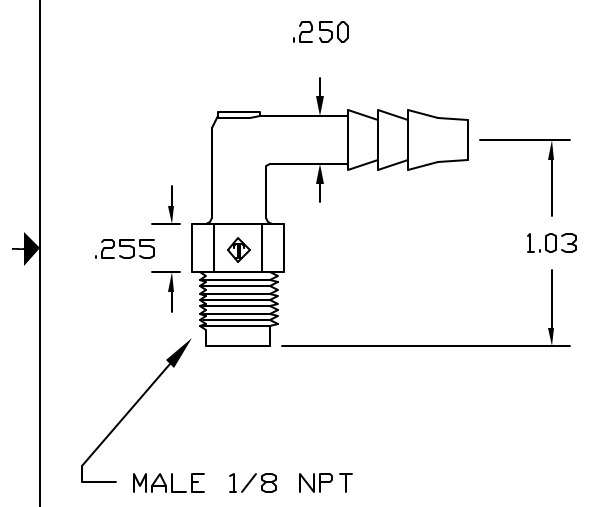


REVISIONS			
REV	DESCRIPTION	DATE	APPROVED
A	REDRAWN & RELEASED	11/97	11/97
B	UPDATE DWG. WITH NEW THREAD TOOLING	5/00	5/00
C	MODIFY BARBS	12/02	12/02



CONTROLLED DOCUMENT
ONLY IF IN RED

CONFIDENTIAL
THIS PRINT AND THE SPECIFICATIONS ARE THE PROPERTY OF THOGUS PRODUCTS COMPANY AND HAVE BEEN ISSUED WITH THE UNDERSTANDING THAT IT WILL NOT BE REPRODUCED, REVEALED TO OR USED FOR THE MANUFACTURE FOR OTHERS AND WILL BE RETURNED UPON REQUEST. Ⓞ

UNLESS OTHERWISE SPECIFIED DIMENSIONS ARE IN INCHES	
TOLERANCES	
DECIMALS	ANGULAR
.XX +/- .05	+/- .05
.XXX +/- .015	
DRAWN	DATE
NM	11/97
FILENAME:	
2024N	
MATERIAL	
NYLON	

PART NAME:	1/8 NPT X 1/4 BARBED ELBOW
THOGUS PRODUCTS	
33490 PIN OAK PARKWAY AVON LAKE OHIO 44012	
PART NUMBER	TE2024/N
SCALE	1:1
SHEET	1 OF 1