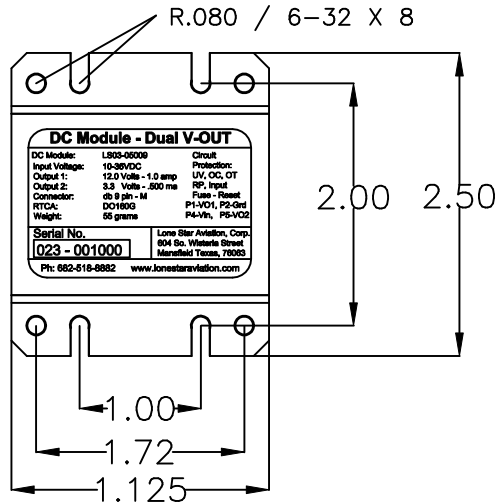
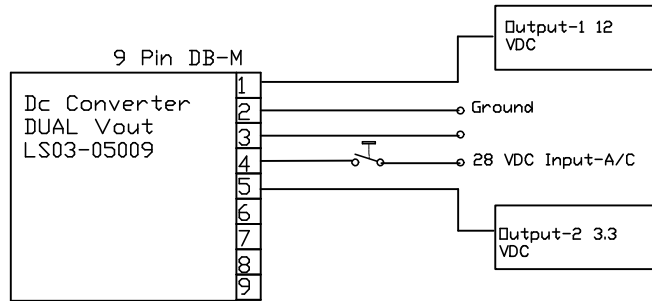


Lone Star Aviation, Inc.
 604 S. Wisteria Street
 Mansfield, Texas 76063
 682-518-8882
 682-518-8831 fax
 www.lonestaraviation.com



Equipment Inspection: Annual

Visual inspection for the following:

1. Hardware: Check for loose hardware.
2. Connector: Check connector wiring

Damaged Equipment Procedure:

If equipment fails to function normally call the factory for technical support.

Reference: Refer to FAA AC 43.13 Acceptable Methods, Techniques, and Practices - Aircraft Alterations when installing the Fan Failure Warning System.

REVISION BLOCK					
REV	ECN #	ZONE	DESCRIPTION OF CHANGE(s)	DATE	APPROVED
REV-0	N/A	N/A	Initial Release	7-3-13	JRM
REV-1	N/A	N/A	Added Mechanical	7-16-13	JRM

Converter output adjustment:
 The dc converter output (1)voltage can be adjusted on the 12 side by a resistor change. The output (2) on the 3.3 side does not have an adjustment.

Converter Circuit Protections:
 The dc converter is protected by the following circuit protections designed into the 3.3 and 12 vdc power supply circuit itself.

1. Under voltage protection
2. Over voltage protection
3. Over current
4. Over Temp
5. Reverse Polarity-pcb
6. Input Fuse: Resettable

Mounting Limitations:
 Mount the Fan Failure Warning System in the electronics bay or cabin equipment rack near on board avionics equipment or electronics.

Part Number: LS03-05009
Dc Converter: Dual Output- 3.3, 12 vdc
Output (1) : 12 vdc, 1.0 amp
Output (2) : 3.3vdc, .500 ma
Connector: 9 pin male -dc converter
Connector: 9 pin female- harness
Harness Length: 36 inches est.

Product Specifications:
Input Voltage: 7-36 vdc
Output (1) : 3.3 vdc
Output (2) : 12.0 vdc
Physical Dimensions: 2.00x 1.50 x .935
Weight: 66 grams

Maximum Temp: +85C (+185F)
Minimum Temp: -55C (-65F)
Maximum Altitude: 30,000 Feet
Vibration: Section 8, Cat S,
 Test Curve M
Shock: RTCA, DO160-G
Humidity: RTCA Section 4
EMI: RTCA Section 5
Temperature: RTCA Section 5
Load: +/- 2%
Line: +/- 3%
Flammability: UL94-V-0
Efficiency: 90%

Testing: DO-160G (Pending)

ITEM #	QTY.	PART NO.	DESCRIPTION
UNLESS NOTED OTHERWISE TOLERANCE BLOCK: DIMENSIONS ARE IN INCHES DECIMALS ±1° ANGULAR XX ± .030 XXX ± .015 XXXX ± .0005 DO NOT SCALE DRAWING			PROPRIETARY THIS DOCUMENT AND THE DATA DISCLOSED HEREWITH IS NOT TO BE REPRODUCED, USED, OR DISCLOSED IN WHOLE OR IN PART TO ANYONE WITHOUT WRITTEN AUTHORIZATION FROM LONE STAR AVIATION, INC
APPROVALS		DATE	
DRAWN BY L DAVIS		7-3-13	
APPROVED BY JRM		7-3-13	
NEXT ASSY.			
MATERIAL			
FINISH		NOTE:	
SCALE NONE		COMP. FILE	
SIZE A		DRAWING NO. LS03-05009	
TITLE Dc Converter DUAL Installation		REV 1	
SHEET 1 OF 1			



DWG: NDI
 LS03-02070
 1 of 1
 REV-1

