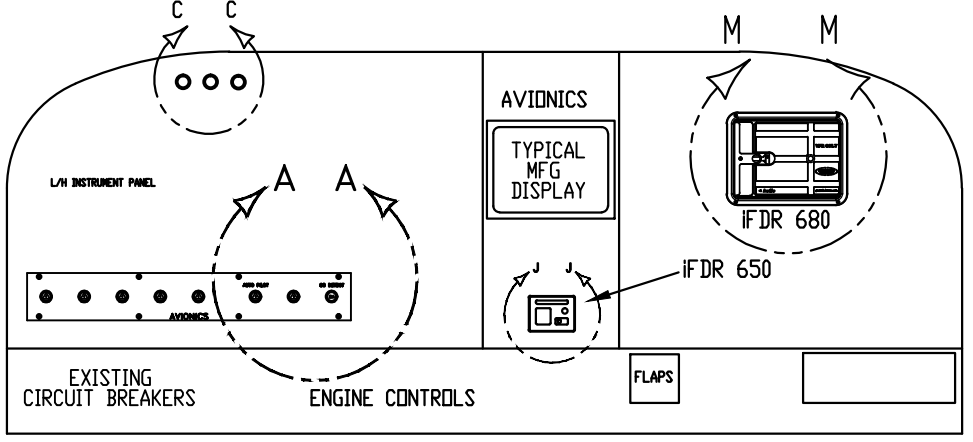


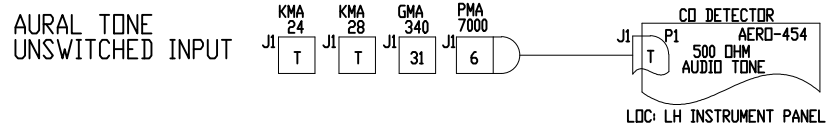
REV.	DESCRIPTION	DATE
A	Initial Release	06/26/2014
B	UPDATED PAGE 4 & ADDED PAGE 5	06/30/2016
C	ADD 3D OF 650 ON PAGE 3	07/14/2016

GENERAL NOTES:

- 1 EXISTING EQUIPMENT.
- 2 PERMISSIBLE TO TRIM PARTS CREATED BY THIS DRAWING ON INSTALLATION AS REQUIRED.
- 3 TOUCH UP ALL BARE ALUMINUM SURFACES WITH ALDINE PER MIL-C-5541 CLASS 3.
- 4 PARENTHEICAL ENTITIES, (), ARE FOR REFERENCE ONLY.
- 5 LOCATE CIRCUIT BREAKER IN THE SAME GENERAL AREA WITH EXISTING CIRCUIT BREAKERS. LABEL AS SHOWN USING STANDARD ENGRAVING, SILKSCREEN, OR OTHER TECHNIQUES. LETTERING TO BE SAME HEIGHT AS EXISTING C/B LETTERING.
- 6 -----DENOTES EXISTING EQUIPMENT.
- 7 GROUND TWISTED-PAIR POWER RETURN WIRE NEAR CIRCUIT BREAKER PANEL. TWISTED-PAIR TO BE 6 TURNS PER FOOT OR GREATER.
- 8 TIE INTO EXISTING BUS BAR NEAR LOCATION OF NEW CIRCUIT BREAKER. IF A JUMPER WIRE IS REQUIRED, USE 20 GAUGE MIL-W-22759/XX TYPE.
- 9 BEST COMMERCIAL EQUIVALENT MAY BE SUBSTITUTED FOR THIS PART.
- 10 THE INSTALLATION OF WIRING TO BE PERFORMED IN ACCORDANCE WITH AC 43.13-1B, 2A, ACCEPTABLE METHODS, TECHNIQUES, AND PRACTICES - AIRCRAFT ALTERATIONS, CHAPTER 11. ALL WIRE TO BE MIL-W-22759/16 OR EQUIVALENT.
- 11 LETTERING TO BE .10 HIGH MINIMUM, WHITE, HELVETICA, LOCATED APPROX AS SHOWN. USE STANDARD SILKSCREENING, ENGRAVING OR PLACARD TECHNIQUES.
- 12 OPTIONAL MOUNTING SCREW/ MOUNTING HOLE
- 13 SEE OWNERS MANUAL FMS 650 FOR INSTALLATION CRITERIA.
- 14 SEE MFG INSTALLATION MANUAL FOR RS-232 HOOKUPS (OPTIONAL).
- 15 SPARE GROUND USED BY SOME DISPLAY MFG'S EXAMPLE GARMIN 900 AND G1000. SEE GARMIN INSTALLATION MANUAL.
- 16 MFD CONTROLLED BY RS232 REMOTE TEST/RESET EXAMPLE GARMIN 900 & 1000
- 17 UNIT CAN BE INSTALLED BEHIND INSTRUMENT PANEL OR OTHER AREAS WHERE A 1/2 SAMPLING AND MONITDRING IS SUFFICIENT AIR
- 18 LIGHT LOCATION IN THE AREA OF PILOTS VIEW. CAN BE INTEGRATED TO MASTER CAUTION PANEL LIGHTS



22 THE FOLLOWING IS A GUIDE FOR UNSWITCHED AUDIO PINDUTS. PINDUTS MUST BE VERIFIED WITH LATEST MANUFACTURING DRAWINGS.



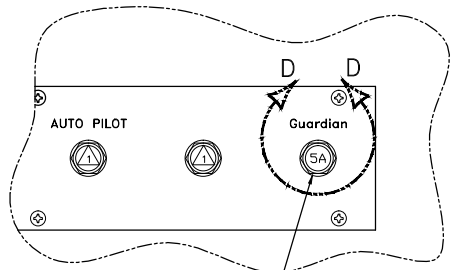
6	1	MFG PNH09562005604/ DIGI-KEY 1195-2311-ND	26 PIN D-SUB	AMP
5	2	XXXXX-XX	SCREW	QPL
4			NOT USED	
3	1	85551-A-3-DDS	LAMP	SOLAN
2	1	7277-2-2	CIRCUIT BREAKER	KLIXON
1	1	IFDR 650-***	IFDR ASSY	GUARDIAN AVIONICS
ITEM	QTY	PART NUMBER	DESCRIPTION	VENDOR

<p>1951 EAST AIRPORT DR. TUCSON, AZ 85756-6902</p>	<p>©COPYRIGHT CO GUARDIAN LLC THE INFORMATION IN THIS DRAWING IS CONFIDENTIAL AND IS THE INTELLECTUAL PROPERTY OF CO GUARDIAN LLC. REPRODUCTION IN WHOLE OR IN PART WITHOUT WRITTEN PERMISSION OF CO GUARDIAN LLC IS PROHIBITED.</p>	<p>DO NOT SCALE DRAWING TOLERANCES UNLESS OTHERWISE SPECIFIED:</p> <table border="1"> <thead> <tr> <th>METRIC</th> <th>IMPERIAL</th> <th>ANGLES</th> </tr> </thead> <tbody> <tr> <td>X ± 1.00mm</td> <td>.X ± .05"</td> <td></td> </tr> <tr> <td>.X ± .3mm</td> <td>.XX ± .01"</td> <td>± 1°</td> </tr> <tr> <td>.XX ± .1mm</td> <td>.XXX ± .005"</td> <td></td> </tr> </tbody> </table>	METRIC	IMPERIAL	ANGLES	X ± 1.00mm	.X ± .05"		.X ± .3mm	.XX ± .01"	± 1°	.XX ± .1mm	.XXX ± .005"		<p>DESIGNED: A. HASSAN</p>	<p>APPROVED: A. VIJ [06-30-16]</p>	<p>DRAWING NAME: IFDR 650/680 INSTL DWG</p>
		METRIC	IMPERIAL	ANGLES													
X ± 1.00mm	.X ± .05"																
.X ± .3mm	.XX ± .01"	± 1°															
.XX ± .1mm	.XXX ± .005"																
<p>SCALE: N/A</p>	<p>DWG # IFDR DWG INSTL</p>	<p>REVISION C</p>	<p>NEXT ASSY</p>	<p>SHEET: 1 of 6</p>													

8 7 6 5 4 3 2 1

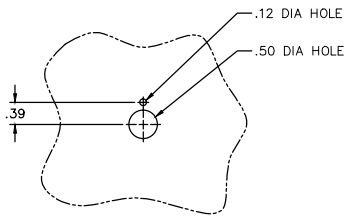
D
C
B
A

D
C
B
A

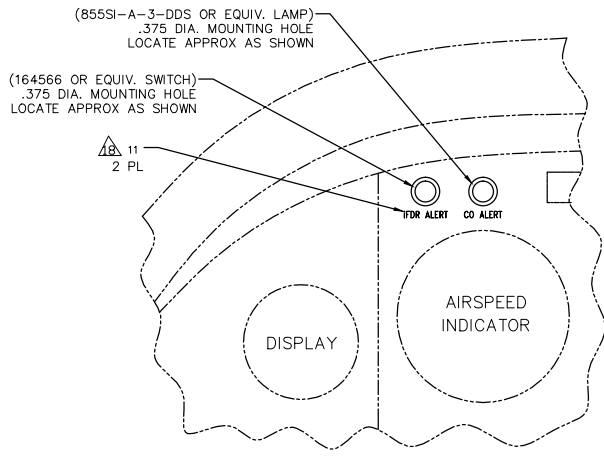


5 (P/N 7277-2-2) CIRCUIT BREAKER

A-A



D-D
(TYPICAL C/B INSTL)
C/B REMOVED FOR CLARITY



C-C



1951 EAST AIRPORT DR.
TUCSON, AZ 85756-6902

©COPYRIGHT CO GUARDIAN LLC
THE INFORMATION IN THIS DRAWING IS CONFIDENTIAL
AND IS THE INTELLECTUAL PROPERTY OF CO
GUARDIAN LLC. REPRODUCTION IN WHOLE OR IN
PART WITHOUT WRITTEN PERMISSION OF CO
GUARDIAN LLC IS PROHIBITED.

DO NOT SCALE DRAWING TOLERANCES UNLESS OTHERWISE SPECIFIED:		
METRIC	IMPERIAL	ANGLES
X ± 1.0mm	.X ± .05"	± 1°
.X ± .3mm	.XX ± .01"	
.XX ± .1mm	.XXX ± .005"	

DESIGNED:
A. HASSAN

APPROVED:
A. VIJ [06-30-16]

DRAWING NAME:
IFDR 650/680 INSTL DWG

SCALE:
N/A

DWG #
IFDR DWG INSTL

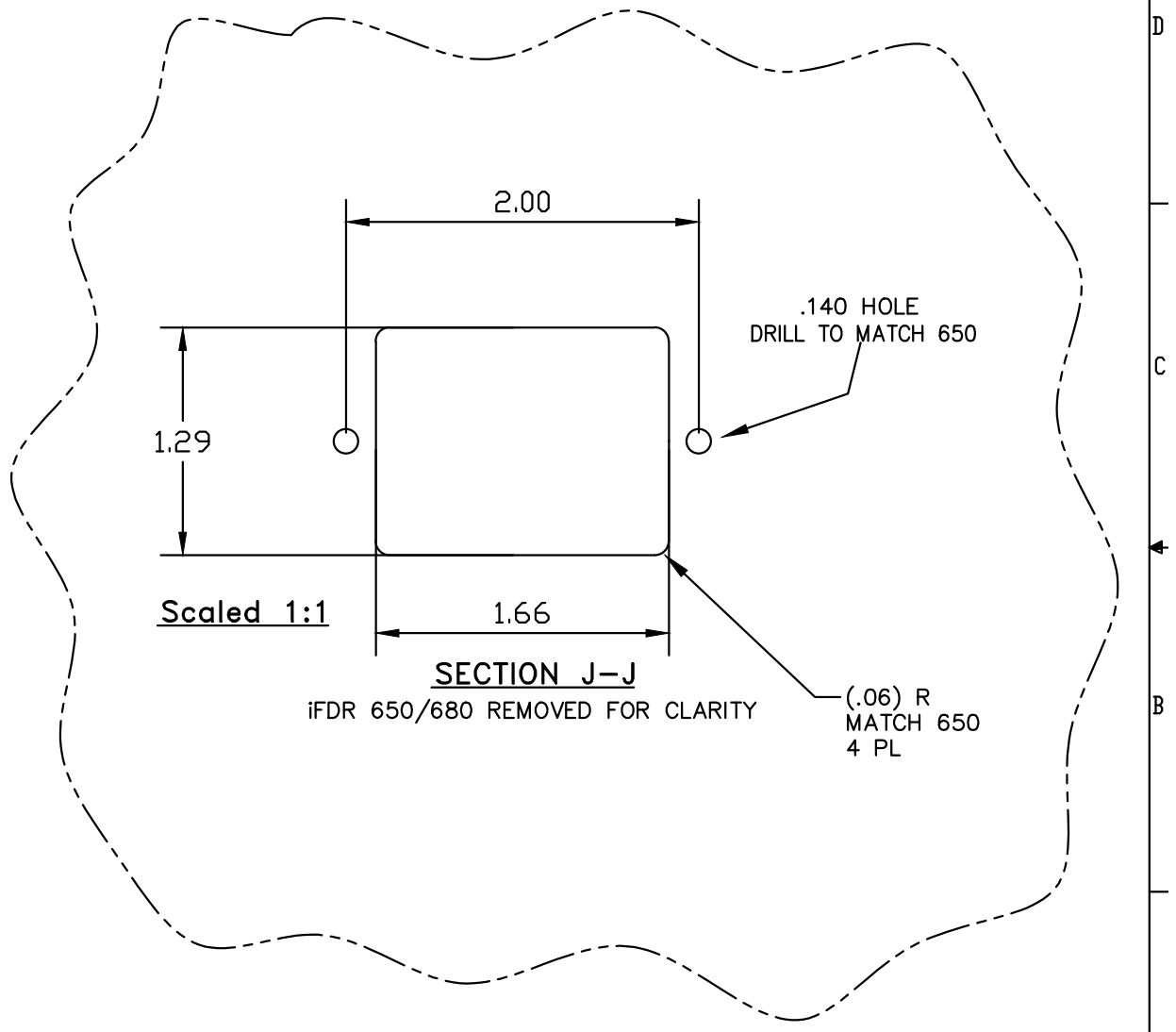
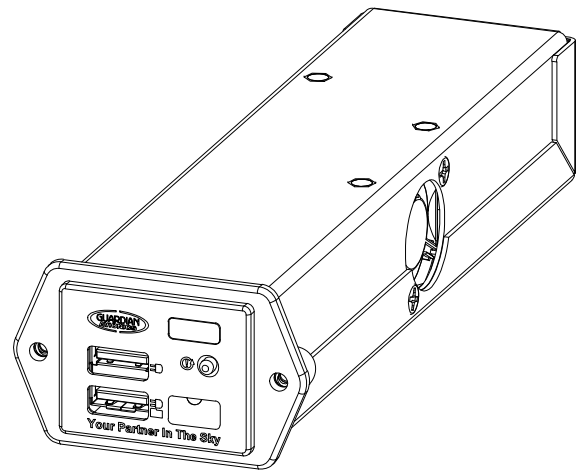
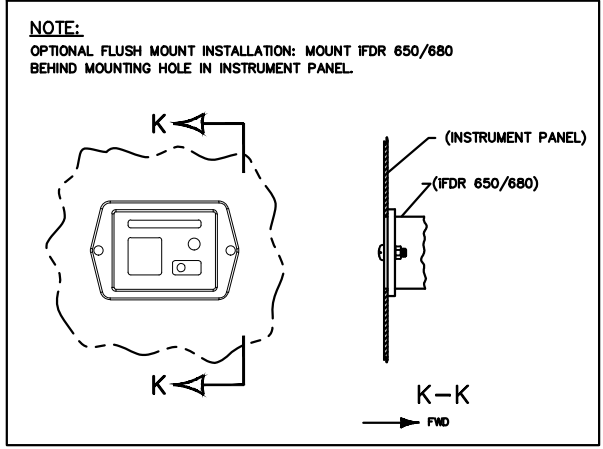
REVISION
C

NEXT ASSY

SHEET:
2 of 6

8 7 6 5 4 3 2 1

8 7 6 5 4 3 2 1



D
C
B
A



1951 EAST AIRPORT DR.
 TUCSON, AZ 85756-6902

©COPYRIGHT CO GUARDIAN LLC
 THE INFORMATION IN THIS DRAWING IS CONFIDENTIAL
 AND IS THE INTELLECTUAL PROPERTY OF CO
 GUARDIAN LLC. REPRODUCTION IN WHOLE OR IN
 PART WITHOUT WRITTEN PERMISSION OF CO
 GUARDIAN LLC IS PROHIBITED.

DO NOT SCALE DRAWING		
TOLERANCES UNLESS OTHERWISE SPECIFIED:		
METRIC	IMPERIAL	ANGLES
X ± 1.00mm	.X ± .05"	± 1°
.X ± .3mm	.XX ± .01"	
.XX ± .1mm	.XXX ± .005"	

DESIGNED:
 A. HASSAN

APPROVED:
 A. VTJ [06-30-16]

DRAWING NAME:
 IFDR 650/680 INSTL DWG

SCALE:
 N/A

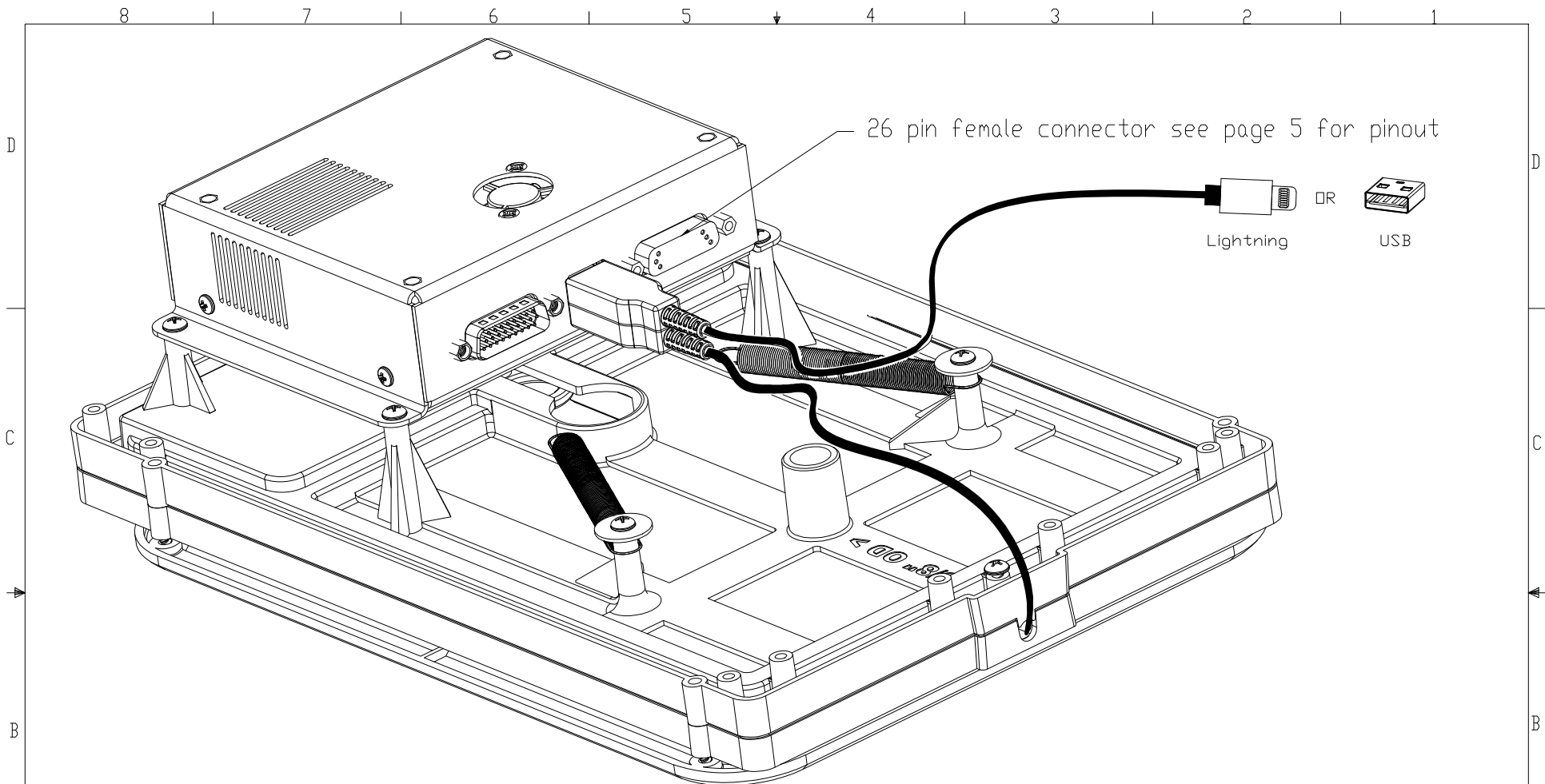
DWG #
 IFDR DWG INSTL

REVISION
 C

NEXT ASSY

SHEET:
 3 of 6

8 7 6 5 4 3 2 1



26 pin female connector see page 5 for pinout



M-M

iFDR 680

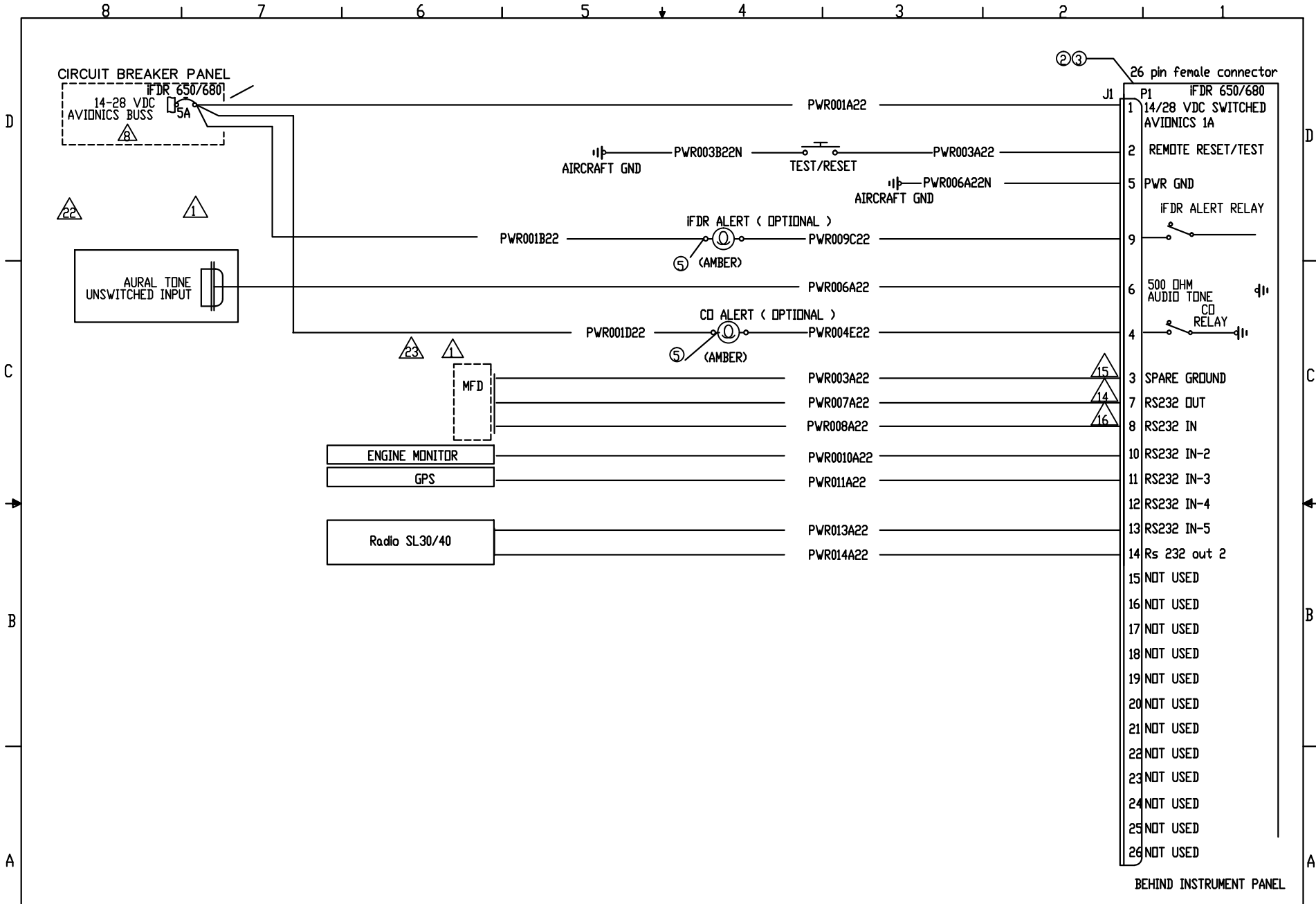


©COPYRIGHT CO GUARDIAN LLC
 THE INFORMATION IN THIS DRAWING IS CONFIDENTIAL
 AND IS THE INTELLECTUAL PROPERTY OF CO
 GUARDIAN LLC. REPRODUCTION IN WHOLE OR IN
 PART WITHOUT WRITTEN PERMISSION OF CO
 GUARDIAN LLC IS PROHIBITED.

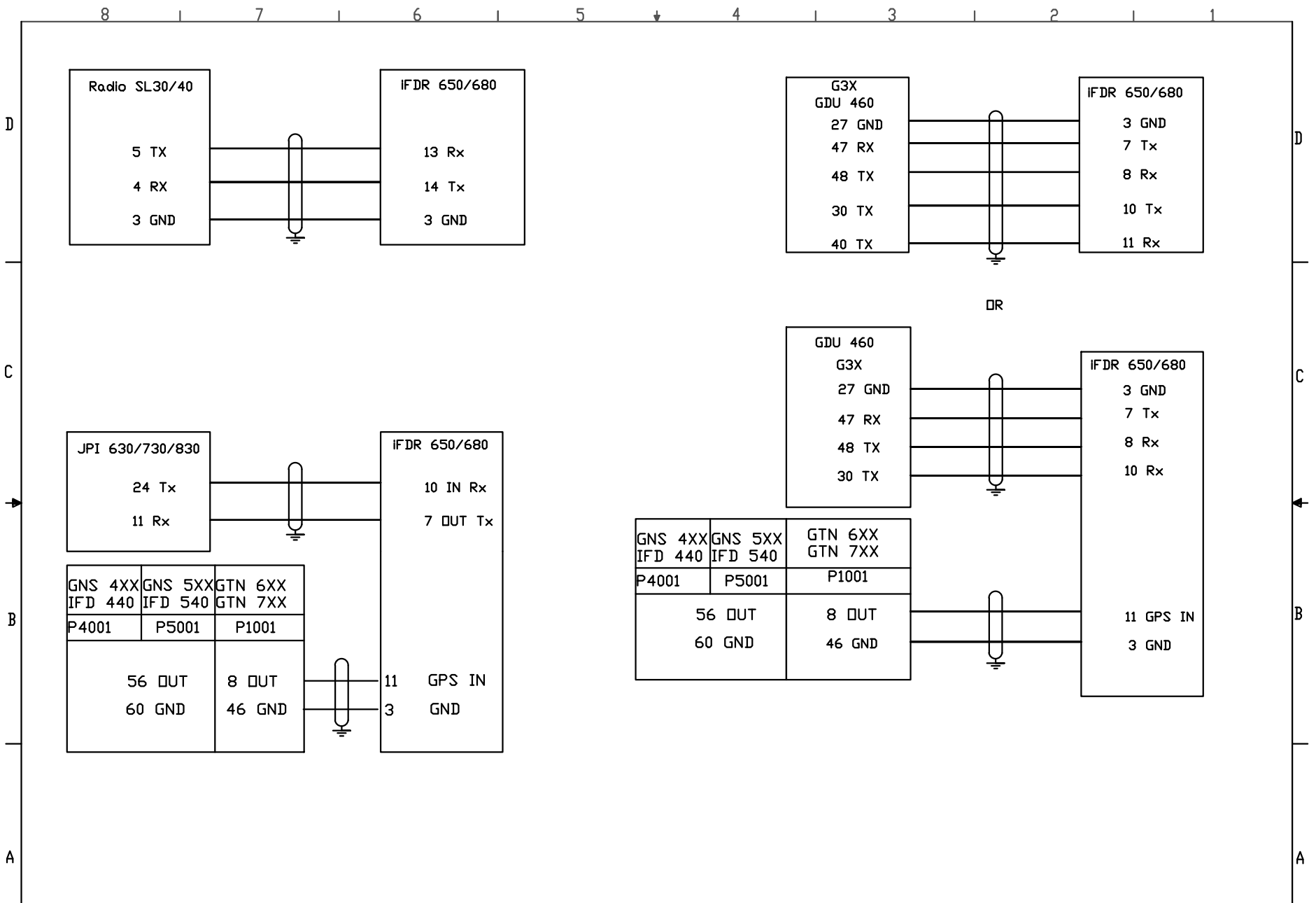
DO NOT SCALE DRAWING TOLERANCES UNLESS OTHERWISE SPECIFIED:		
METRIC	IMPERIAL	ANGLES
X ± 1.00mm	.X" ± .05"	± 1°
.X ± .3mm	.XX ± .01"	
.XX ± .1mm	.XXX ± .005"	

DESIGNED: A. HASSAN	APPROVED: A. VIJ [06-30-16]
SCALE: N/A	DWG # iFDR DWG INSTL

DRAWING NAME: iFDR 650/680 INSTL DWG		REVISION C	NEXT ASSY	SHEET: 4 of 6
---	--	---------------	-----------	------------------



 1951 EAST AIRPORT DR. TUCSON, AZ 85756-6902	©COPYRIGHT CO GUARDIAN LLC THE INFORMATION IN THIS DRAWING IS CONFIDENTIAL AND IS THE INTELLECTUAL PROPERTY OF CO GUARDIAN LLC. REPRODUCTION IN WHOLE OR IN PART WITHOUT WRITTEN PERMISSION OF CO GUARDIAN LLC IS PROHIBITED.	DO NOT SCALE DRAWING TOLERANCES UNLESS OTHERWISE SPECIFIED: METRIC IMPERIAL ANGLES X ± 1.00mm .X ± .05° ± 1° .X ± .3mm .XX ± .01° .XX ± .1mm .XXX ± .005°	DESIGNED: A. HASSAN	APPROVED: A. VIJ [06-30-16]	DRAWING NAME: IFDR 650/680 INSTL DWG
			SCALE: N/A	DWG # IFDR DWG INSTL	REVISION C



©COPYRIGHT CO GUARDIAN LLC
THE INFORMATION IN THIS DRAWING IS CONFIDENTIAL
AND IS THE INTELLECTUAL PROPERTY OF CO
GUARDIAN LLC. REPRODUCTION IN WHOLE OR IN
PART WITHOUT WRITTEN PERMISSION OF CO
GUARDIAN LLC IS PROHIBITED.

DO NOT SCALE DRAWING
TOLERANCES UNLESS
OTHERWISE SPECIFIED:

METRIC	IMPERIAL	ANGLES
X ± 1.00mm	.X ± .05"	± 1°
X ± .3mm	.XX ± .01"	
XX ± .1mm	.XXX ± .005"	

DESIGNED:
A. HASSAN

SCALE: N/A

APPROVED:
A. VIJ [06-30-16]

DWG #
IFDR DWG INSTL

DRAWING NAME:
IFDR 650/680 INSTL DWG

REVISION
C

NEXT ASSY

SHEET:
6 OF 6