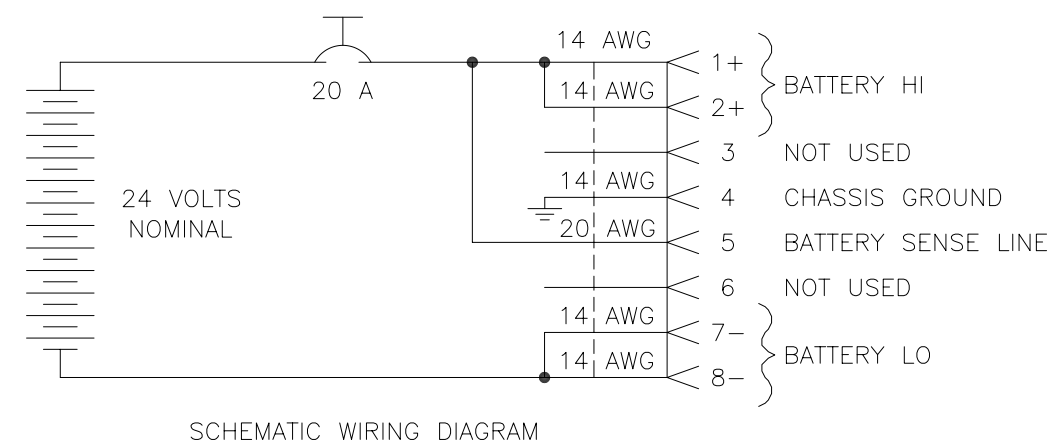
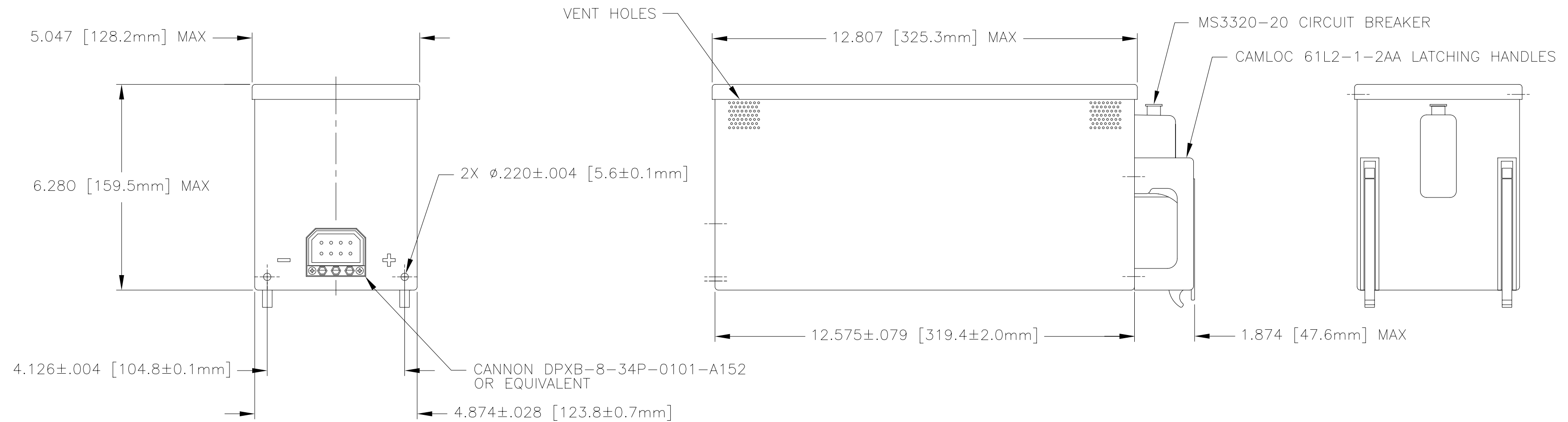
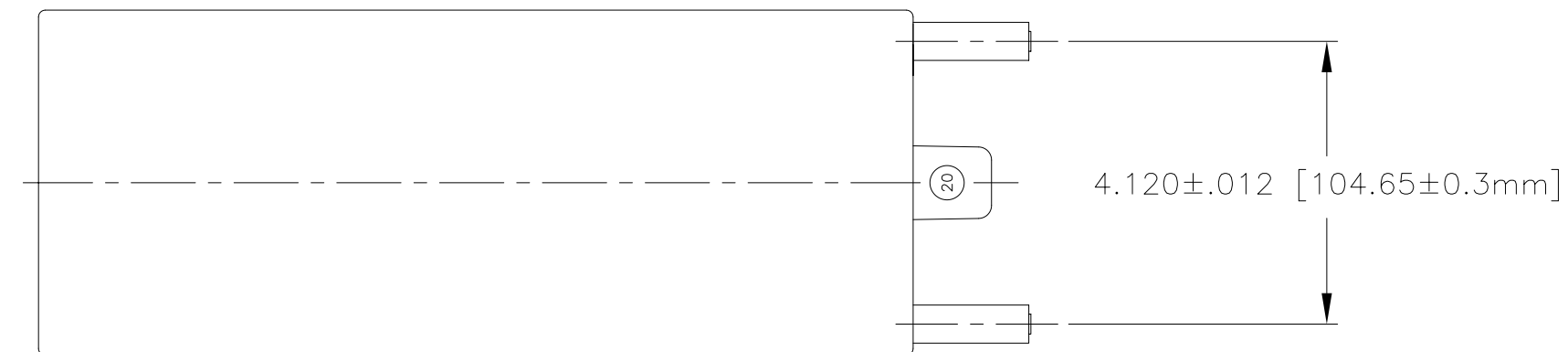


NOTES: UNLESS OTHERWISE SPECIFIED

- BATTERY CONFORMS TO THE DESIGN REQUIREMENTS OF 14 CFR PARTS 23.1353, 25.1353(c), 27.1353, 29.1353(c).
- INSPECT PER FAR 21.303(h) QUALITY SYSTEM.
- ABBREVIATION USED IN TITLE IS: VALVE REGULATED SEALED LEAD ACID (VRSLA).
- SEE DRAWING NUMBER CB-00213 AND PROCEDURE P-1000 FOR ASSEMBLY AND TEST INSTRUCTION. PROCEDURES AND ASSEMBLY DRAWINGS ARE FOR INTERNAL USE ONLY.
- BATTERIES ARE RATED IAW INTERNATIONAL ELECTROTECHNICAL COMMISSION STANDARD 60952-1, UNLESS OTHERWISE NOTED.
- THIS BATTERY IS NOT RATED FOR "ENGINE STARTING - HIGH RATE PERFORMANCE".
- DIMENSIONS ARE IN INCH [MILLIMETER].
- FORMER PART NUMBERS: RG-13, RG-13-1

REVISIONS			
REV	DESCRIPTION	DATE	APPROVED
A	ADDED NOTE 8	1/19/04	JBT
B	ADDED SCHEMATIC	8/8/06	JBT
C	UPDATED RATINGS PER DO-293	6/7/07	JBT

PART NUMBER	RG-131		
MAXIMUM WEIGHT	31 LBS[14.1 KG]		
RATED CAPACITY, C <sub>1</sub>	12 AH		
POWER RATING	NOT RATED		
TEST TEMPERATURE	@23°C (74°F)	@-18°C (0°F)	@-30°C (-22°F)
CAPACITY, 12 A	12 AH	6.5 AH	4.0 AH
RAPID DISCHARGE, 10C1	NOT RATED	NOT RATED	NOT RATED



ENVELOPE DRAWING

QTY REQD	CAGE CODE	PART OR IDENTIFYING NO.	NOMENCLATURE OR DESCRIPTION	MATERIAL SPECIFICATION	ITEM NO.
PARTS LIST					
UNLESS OTHERWISE SPECIFIED DIMENSIONS ARE IN INCHES TOLERANCES ARE:		CONTRACT NO.		CONCORDE BATTERY CORPORATION 2009 SAN BERNARDINO RD, W. COVINA, CA 91790	
FRACTIONS DECIMALS ANGLES		APPROVALS		TITLE	
± 1/32 .XX ± .06 ± 1'		DRAWN D. PEREZ 9/25/03		BATTERY, VRSLA, 24 VOLT	
.XXX ± .030		CHECKED AMIII 9/29/03		SIZE CAGE CODE DWG NO. REV	
TREATMENT NONE		APPROVED JBT 10/3/03		C 63017 RG-131 C	
FINISH NONE		ISSUED NS 6/7/07		SCALE NONE SHEET 1 OF 1	
SIMILAR TO		ACT WT CALC WT			

ENGINEERING COPY 07JUN07