

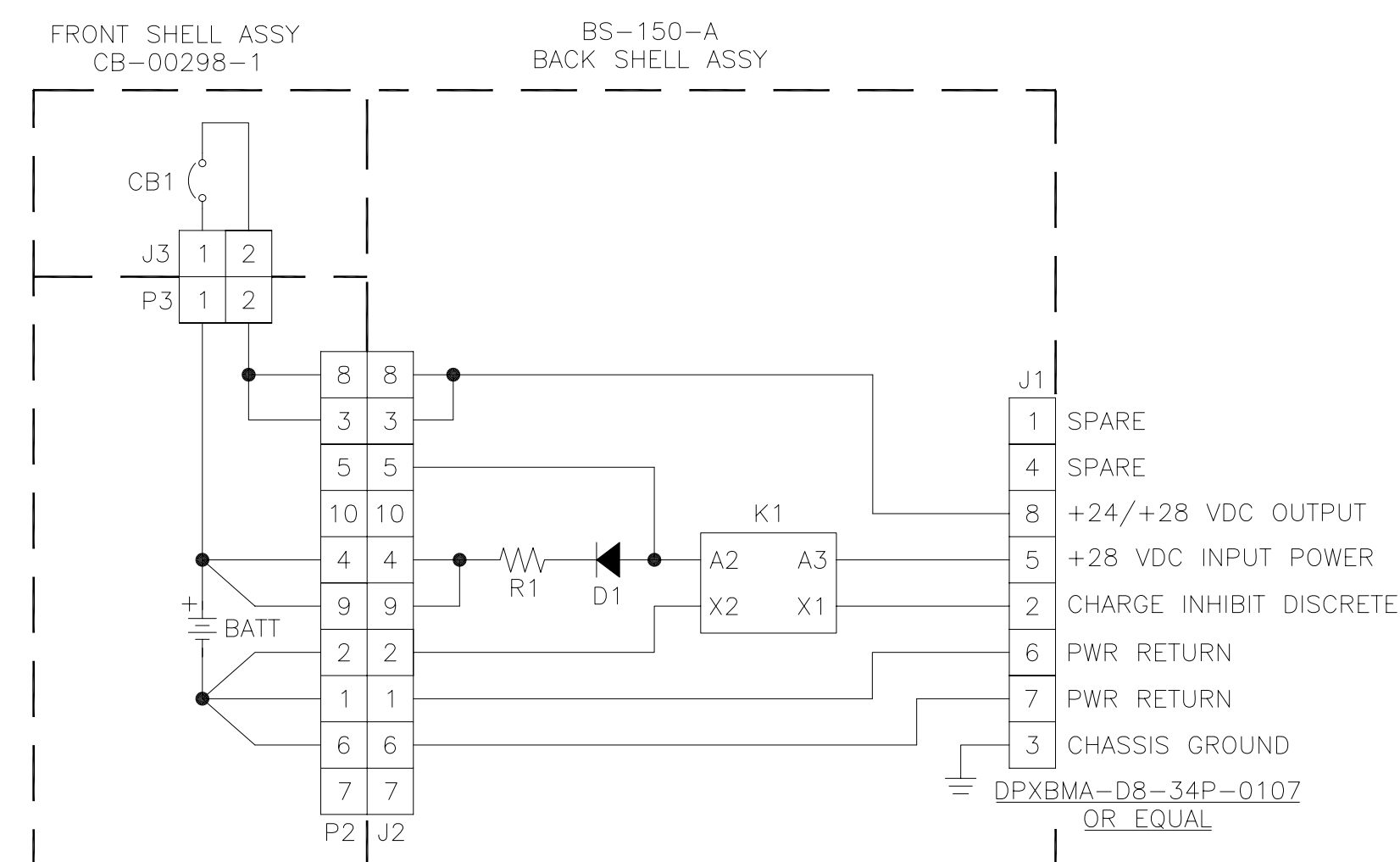
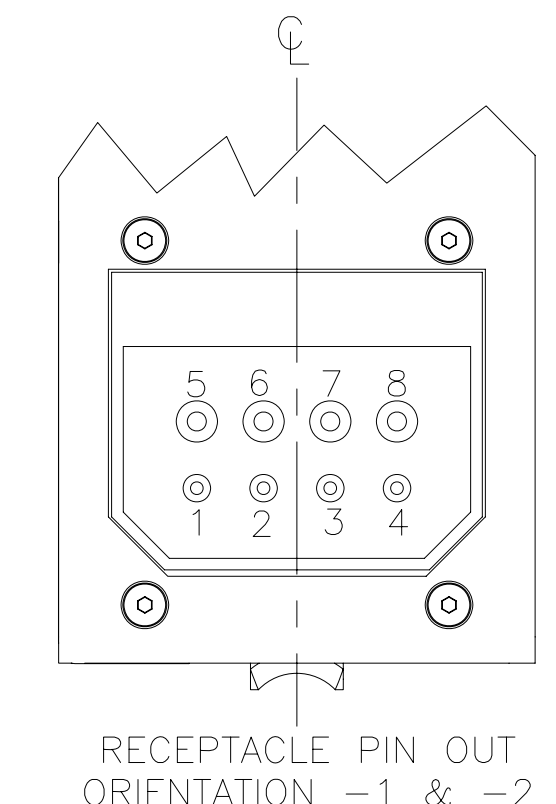
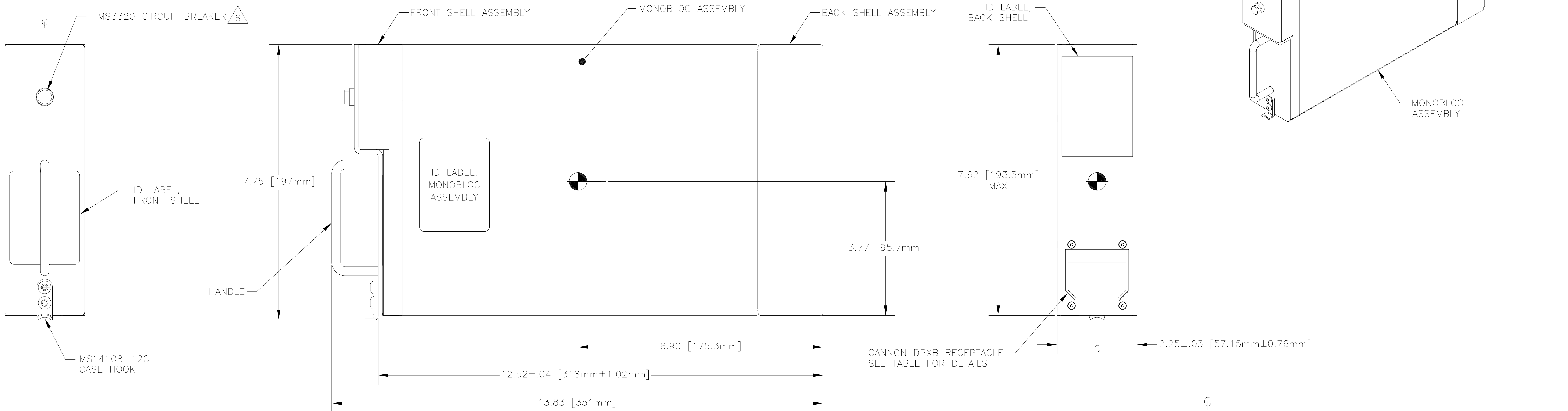
NOTES: UNLESS OTHERWISE SPECIFIED

1. MANUFACTURED AND INSPECTED IAW AS9100 QUALITY SYSTEM REQUIREMENTS.
2. SEE DRAWING NUMBER CB-00296 AND PROCEDURE P-1000 FOR ASSEMBLY AND TEST INSTRUCTION. PROCEDURES AND ASSEMBLY DRAWINGS ARE FOR INTERNAL USE ONLY
3. BATTERIES ARE RATED IAW INTERNATIONAL ELECTROTECHNICAL COMMISSION STANDARD 60952-1 AND RTCA STANDARD DO-293, UNLESS OTHERWISE NOTED.
4. THIS BATTERY IS NOT RATED FOR "ENGINE STARTING - HIGH RATE PERFORMANCE"
5. CASE SIZE: ARINC 404, 1/4 ATR SHORT
6. ALTERNATE CIRCUIT BREAKERS ARE AVAILABLE UPON REQUEST.

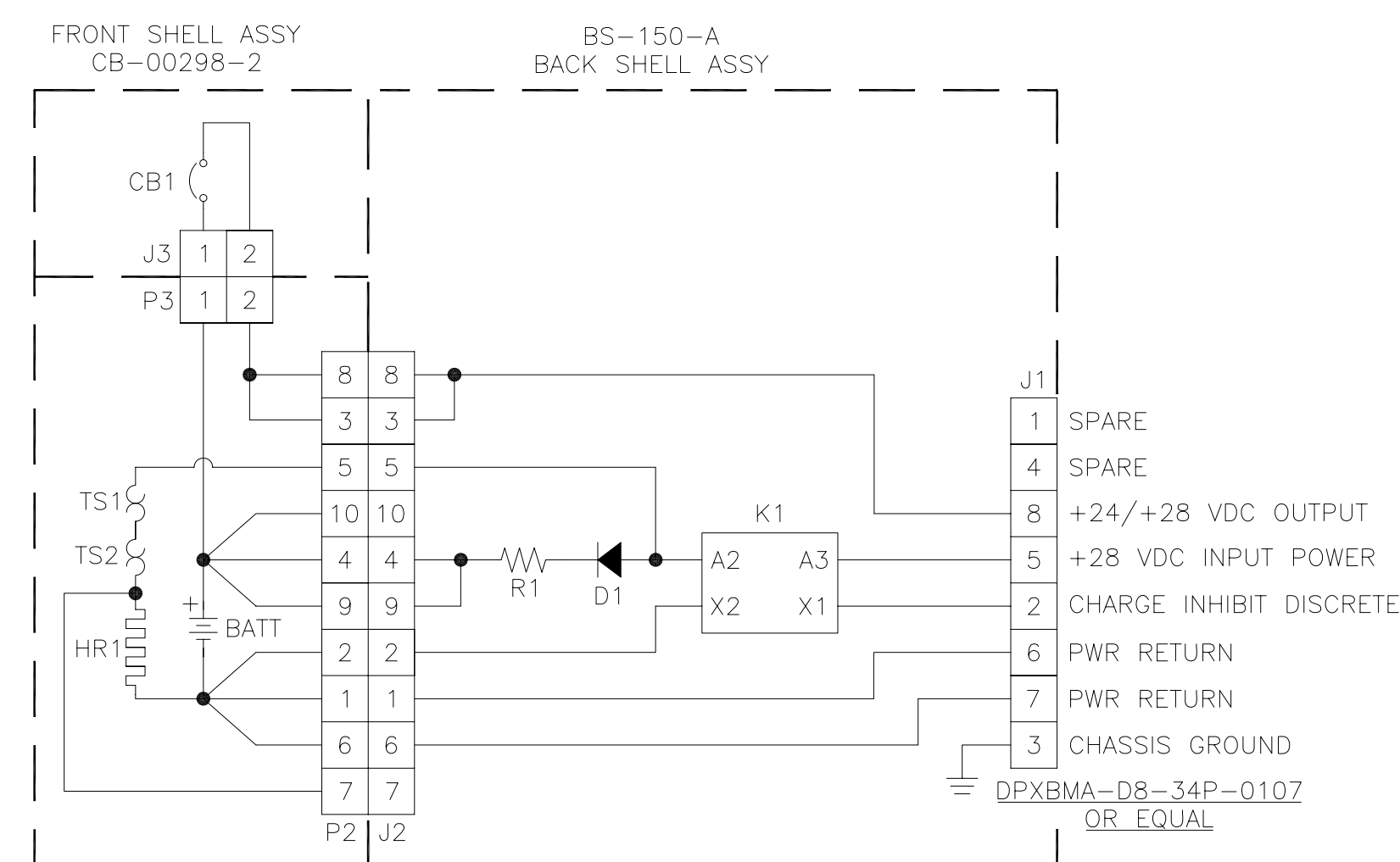
BATTERY PART NUMBER	RG-150-1	RG-150-2
MONOBLOC ASSY PART NO.	MB-150-1	MB-150-2
BACK SHELL ASSY PART NO.	BS-150-A	
MAXIMUM WEIGHT	14.0 LBS [6.4 KG]	
RATED CAPACITY, C ₁	3.5 AH	
CAPACITY, -18°C (0°F)	3.0 AH	3.3 AH
CAPACITY, -30°C (-22°F)	2.0 AH	2.9 AH
INPUT	28 VDC NOM	
MAXIMUM INRUSH CURRENT	19.5 AMPS	
RECEPTACLE	DPXBMA-D8-34P-0107 OR EQUAL	
OUTPUT CIRCUIT BREAKER	5 A	
INTERNAL DC HEATER	NO	4A MAX @ 28 VDC

90% CAPACITY IS REACHED WITHIN 1 HOUR WHEN POWERED FROM THE 28V DC BUS. POWER APPLIED TO HEATERS FOR 1 HOUR PRIOR TO TEST AT LOW TEMPERATURES.

REVISIONS			
REV	DESCRIPTION	DATE	APPROVED
H	SEE DCN RG150H	6/9/11	JBT



RG-150-1 SCHEMATIC



RG-150-2 SCHEMATIC

ENVELOPE DRAWING

QTY	REQD	CAGE CODE	PART OR IDENTIFYING NO.	NOMENCLATURE OR DESCRIPTION	MATERIAL SPECIFICATION	ITEM NO.
PARTS LIST						
UNLESS OTHERWISE SPECIFIED DIMENSIONS ARE IN INCHES TOLERANCES ARE:				CONCORDE BATTERY CORPORATION 2009 SAN BERNARDINO RD, W. COVINA, CA 91790		
FRACTIONS		DECIMALS	ANGLES	APPROVALS	DATE	TITLE
±1/32	.XX ±.06	±1°		D. PEREZ	6/3/05	BATTERY, VRSLA, 24 VOLT, RG-150 SERIES
TREATMENT		NONE	CHECKED	AMIII	6/13/05	SIZE
FINISH		NONE	APPROVED	JBT	6/16/05	D 63017
SIMILAR TO		ACT WT	ISSUED	JJ	6/20/11	DWG NO. RG-150
		CALC WT				REV H
SCALE NONE				SHEET 1 OF 1		