

## TASKLIGHT 600



### LED COCKPIT MAPLIGHT

- Built in dimmer
- Built in on/off switch
- For 14v and 28v systems
- High Quality CNC Machined

The New TaskLight 600 series will be available either with all 6 LEDs of your color choice operating simultaneously, or three White LEDs and three LEDs of your color choice operating independently of the other color. The TaskLight 600 series has an intensity knob and on/off switch built in and operates with input voltages ranging from 10v to 28 volts.

- Built in dimmer and on/off switch
- Compatible with 14v and 28v systems
- Housing components are precision CNC machined from solid 6061-T6 and Black MIL spec Anodized
- Dual Color Models: RED/WHITE, BLUE/WHITE, GREEN/WHITE
- Single Colors Models: RED, WHITE, BLUE, GREEN

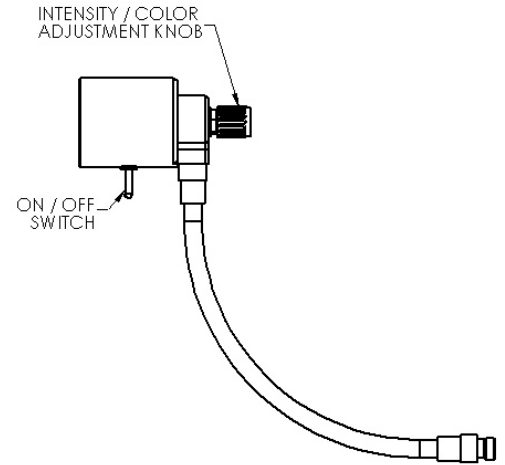
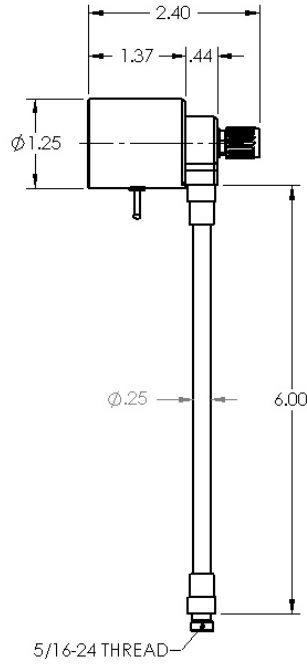
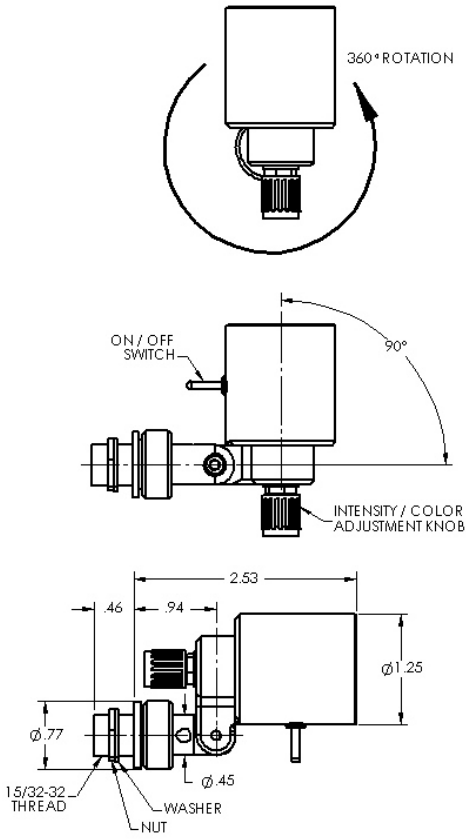
Oplite Technologies is a division of Machine Incorporated, a highly reliable CNC machining company—dependable in both product and customer service. [www.machineinc.com](http://www.machineinc.com)



MADE IN THE USA

# TaskLight 600

# TaskLight 600 Gooseneck



MADE IN THE USA



[oplite.com](http://oplite.com)

781.297.3700

[info@oplite.com](mailto:info@oplite.com)

879 Turnpike Street, Stoughton, MA 02072 USA



## TASKLIGHT 600

The Tasklight 600 product is designed and manufactured in the USA to industry leading traceability of AS9100C quality standards and will provide years of reliable service. Constructed with quality components and 6016-T6 Anodized Aluminum Housing.

This light incorporates an on/off power switch along with a dimming system actuated by a knob at the rear of the housing. The unit is compatible with both 14v and 28v systems.

On dual color models, both color switching and dimming is controlled by the dimming knob. (Turn right for color 1 and opposite direction for color 2 with center position dark)

Voltage: 11V-28V DC  
Power: 40mA max  
Weight: 59.5 g (2.1 oz)

### Light Output, Dual Color Model:

White: 48k max. MCD (Millicandela Rating)  
Red: 22.5k max. MCD

### Light Output, Single Color Model:

White: 96k max. MCD (Millicandela Rating)  
Red: 45k max. MCD

### Wiring and Installation:

The Tasklight 600 is compatible with both 14v and 28v systems.

The light is provided with 18" leads of M22759/16-22 wire

Black lead (-) Color lead (+)

Tasklight 600 should be installed in accordance with AC 43.13-1B Chapter 11

**Oplite Technologies**  
**Machine Incorporated AS9100C/ FAA-PMA**  
879 Turnpike Street  
Stoughton, MA 02072 USA  
+781-297-3700 [info@oplite.com](mailto:info@oplite.com)

