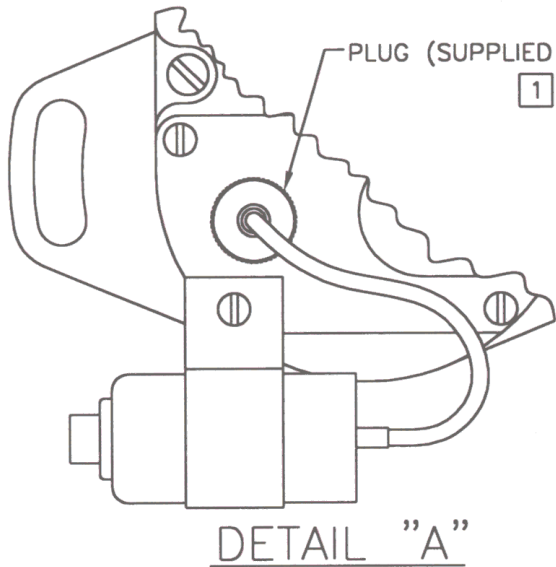


NOTES

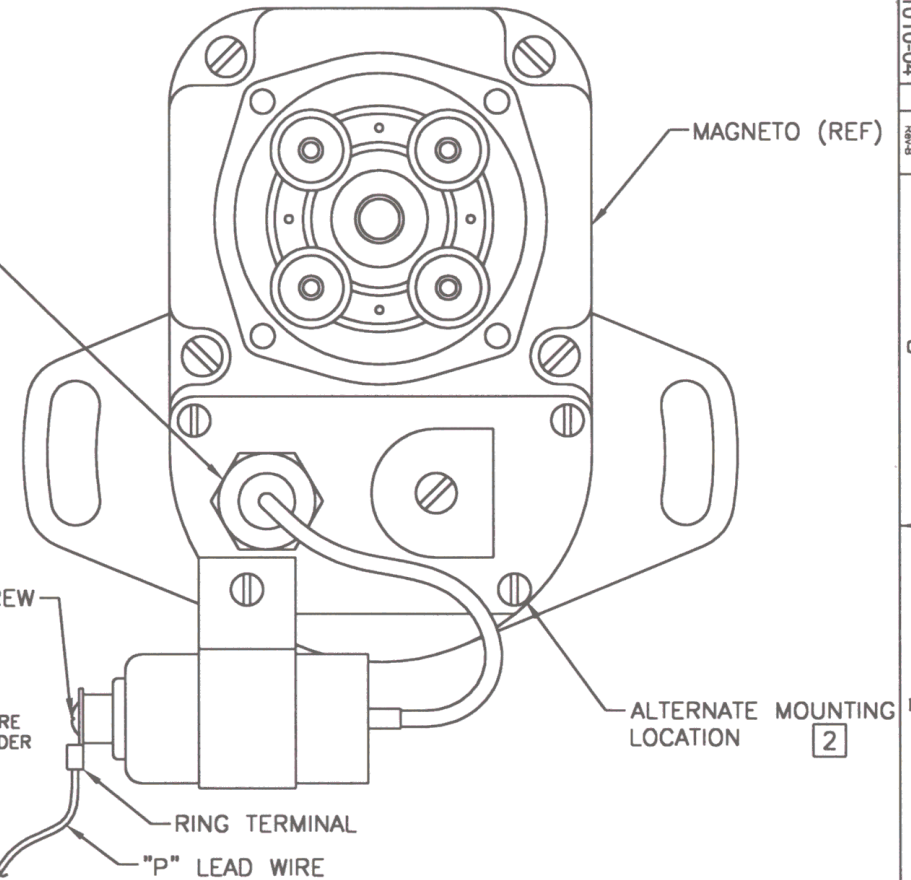
1. STYLE OF PLUG MAY VARY DEPENDING ON MODEL OF MAGNETO.
2. FILTER MAY BE INSTALLED IN ALTERNATE LOCATION AS REQUIRED.

REVISION BLOCK				
REV	QTY	DATE	DESCRIPTION OF CHANGES	APPROVED
Rev-0		10-22-00	INITIAL RELEASE	
Rev-A		12-22-00	Add Detail A	
Rev-B		1-11-01	Add Detail A -Connector Sub-Assy	

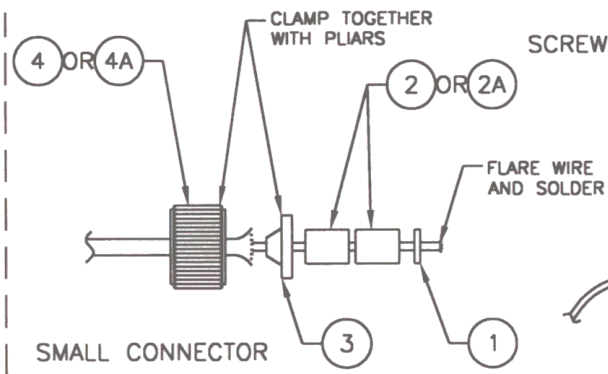
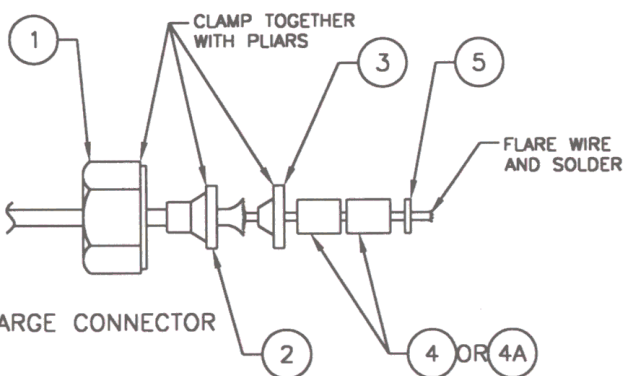


PLUG (SUPPLIED W/ MAGNETO)
SEE DETAIL "A" FOR ALTERNATE
STYLE PLUG

1



VIEW OF REAR OF MAGNETO



1. NUT, COUPLING (GROUND TERMINAL)(AVIALL P/N 1037669)
2. FERRULE, OUTER (GROUND WIRE)(AVIALL P/N 10-7030)
3. FERRULE, INNER (GROUND WIRE)(AVIALL P/N 10-7029)
4. SLEEVE, INSULATING (AVIALL P/N 10-37668)
- 4A. SLEEVE, INSULATING (AVIALL P/N 10-52901)
5. WASHER, GROUND WIRE CONTACT (AVIALL P/N 2-155)

1. WASHER, FLAT (AVIALL P/N 10-77092)
2. BUSHING, INSULATED (AVIALL P/N 10-157212)
- 2A. INSULATOR (AVIALL P/N 10-382812)
3. BUSHING, SHOULDERED (AVIALL P/N 10-157213)
4. NUT, COUPLING (AVIALL P/N 10-157210)
- 4A. NUT, COUPLING (AVIALL P/N 10-157211)

NOTE: IF USING SHIELDED WIRE, DO NOT CUT BACK INSULATION. SHIELD WILL GROUND THROUGH ITEMS 2 AND 3 TO MAGNETO SHELL.

EXPLODED VIEW OF PLUG

ITEM #	QTY.	PART NO.	DESCRIPTION
1	1	LS03-01010-02	MAGNETO FILTER ASSY

UNLESS NOTED OTHERWISE TOLERANCE BLOCKS: DIMENSIONS ARE IN INCHES DECIMALS .XX ±.030 XXX ±.015 XXXX ±.0005 DO NOT SCALE DRAWING	PROPRIETARY THIS DOCUMENT AND THE DATA DISCLOSED HEREWITH IS NOT TO BE REPRODUCED, USED, OR DISCLOSED IN WHOLE OR IN PART TO ANYONE WITHOUT WRITTEN AUTHORIZATION FROM LONE STAR AVIATION	
	APPROVALS	DATE
MATERIAL	DRAWN BY J. J. HUMPHREYS	1/11/01
FINISH	APPROVED BY R. G. STARK	1/11/01
	NEXT ASSY.	

LONE STAR AVIATION CORP. Arlington, Texas	
TITLE	INSTALLATION - MAGNETO FILTER
SIZE	B
DRAWING NO.	LS03-01010-04
SCALE	NONE
COMP. FILE	
SHEET	1 OF 1