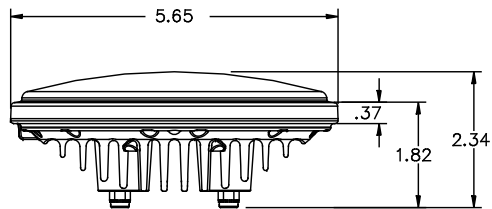
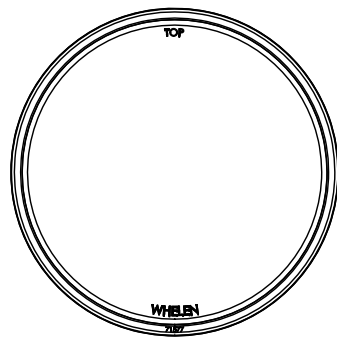
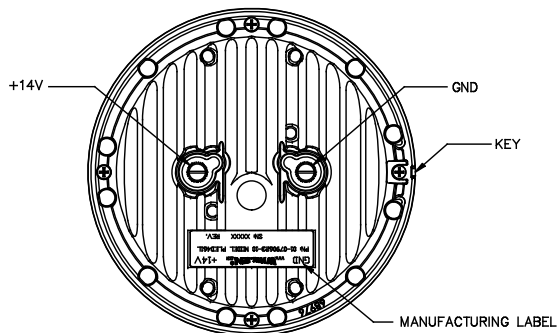


REV	ECN	DESCRIPTION	DATE
A	41899	EDIT NOTES SHEET 1	12/1/10
B	41966	EDIT NOTES SHEET 2	12/13/10
C	42108	EDIT NOTES	1/10/11



(2) #8-32 x 1/4 PH BRASS SCREW



NOTES:

- SPECIFICATIONS: (NOMINAL) UNLESS OTHERWISE SPECIFIED  
 OPERATING VOLTAGE: 14VDC  
 CURRENT: 2.6 AMPS  
 LIGHT OUTPUT COLOR: WHITE LED  
 BEAM PATTERN: 10°VERT, 10°HORIZ (-10)  
 LIGHT INTENSITY: 56,000 cd
- MATERIAL:  
 HOUSING/HEATSINK: DIE-CAST ALUM. ALLOY, BLACK PAINT  
 LENS: CLEAR POLYCARBONATE, HARDCOAT
- WEIGHT: 1 lb (REF)
- UNIT DESIGNED TO MEET THE FOLLOWING ENVIRONMENTAL TEST REQUIREMENTS IN ACCORDANCE WITH RTCA/DO-160:  
 TEMPERATURE/ALTITUDE: SECTION 4, CATEGORY F2  
 TEMPERATURE VARIATION: SECTION 5, CATEGORY S2  
 HUMIDITY: SECTION 6, CATEGORY C  
 OPERATIONAL SHOCK: SECTION 7, CATEGORY B  
 VIBRATION: SECTION 8, CATEGORY R, CURVES E, E1  
 EXPLOSION PROOFNESS: SECTION 9, CATEGORY H  
 WATERPROOFNESS: SECTION 10, CATEGORY W  
 SAND AND DUST: SECTION 12, CATEGORY D  
 FUNGUS: SECTION 13, CATEGORY F  
 SALT FOG: SECTION 14, CATEGORY S  
 MAGNETIC EFFECTS: SECTION 15, CATEGORY Z  
 POWER INPUT: SECTION 16, CATEGORY Z  
 VOLTAGE SPIKE: SECTION 17, CATEGORY A  
 AUDIO FREQ. CONDUCTED SUSCEPT: SECTION 18, CATEGORY Z  
 INDUCED SIGNAL SUSCEPTIBILITY: SECTION 19, CATEGORY ZC  
 RADIO FREQUENCY SUSCEPTIBILITY: SECTION 20, CATEGORY R/R  
 EMISSIONS OF RADIO FREQUENCY ENERGY: SECTION 21, CATEGORY H  
 LIGHTNING INDUCED TRANSIENT SUSCEPTIBILITY: SECTION 22, CATEGORY A1E2X  
 ICING: SECTION 24, CATEGORY A  
 ESD: SECTION 25, CATEGORY A  
 FIRE, FLAMMABILITY: SECTION 26, CATEGORY C
- TEST PER ATP: 05718

QTY.	ITEM	PART NUMBER	DESCRIPTION
1	01-0290624-10	FINAL ASSY MODEL PLED461L 14V PAR 46	
*	* 01-0790623-10	MODEL PLED461L PAR 46 LANDING LIGHT 14V	
THIS DRAWING IS PROPRIETARY TO THE WHELEN ENG. CO. INC. ANY REPRODUCTION, DISCLOSURE OR USE OF THIS DRAWING WITHOUT WRITTEN AUTHORIZATION FROM WHELEN ENG. CO. INC. IS PROHIBITED.			
MATERIAL		<b>WHELEN</b> ® ROUTE 145 CHESTER, CT 06412-0684 ENGINEERING COMPANY INC. TELEPHONE (860)526-9504	
FINISH		90623( ) SERIES 14V PAR 46 LANDING LIGHT MODEL PLED461L	
TOLERANCE: UNLESS OTHERWISE SPECIFIED		DR. RPR	SCALE
ANGLES ±1/2°		CH. TMF	DATE
.XX = ±.03		ENG. RPR	1:1 (D-SIZE)
.XXX = ±.010		DWG. NPL	5/27/2010
© 2010 WHELEN ENG. CO. INC. CAGE CODE 10402		APP. TMF	REV
			ISSUE
			11/19/10
			SHEET
			1
			OF
			2

\*CUSTOMER ORDER NUMBER